

TRANSIT CHASSIS CABS

Ford



Go Further



Visionary. Ingenious. Remarkable.
Every vehicle bears his signature.

Henry Ford





Making light work of heavy jobs.

With five frame lengths, a range of GVMs from 3,140kg to 4,700 kg, a choice of front, rear or all-wheel drive*, and single or double cab styles. The Ford Transit Chassis Cab is a vehicle you can rely on when there is serious work to be done.

Towing ability

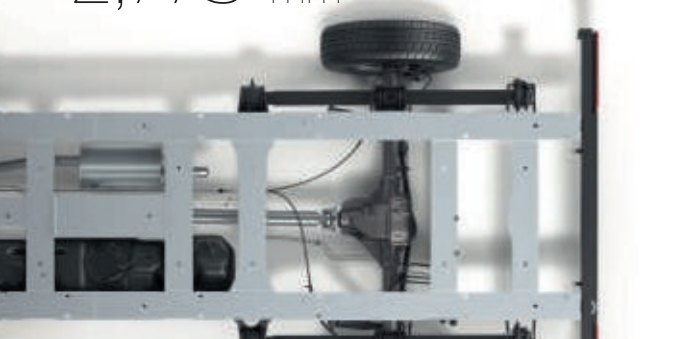
Transit Chassis Cab delivers outstanding payload and towing capability. The 350HD and 470 versions with high-rated suspension, 170PS engine and 7,000 kg gross train mass (GTM) can pull up to a maximum 3.5 tonnes of braked trailer load, when properly equipped. (Commercial users may need a digital tachograph. Option)



Model shown is a Standard Dropside Chassis Cab 350 FWD L2 Base in Frozen White solid body colour.
*All-wheel drive is available as an option on 350 L2 and L3 series. (Excludes Standard Dropside).



2,775 mm



3,142 mm



3,592 mm



4,149 mm



5,147 mm



Tough choices.

Transit Chassis Cab combines the strength of a heavy truck with the agility of a light vehicle. Each hard-working derivative, from the L1 to the L5, has a robust ladder-frame chassis that provides a flat, strong base on which to build. While a choice of driveline configurations, cab styles and single or dual rear wheel axles add to its flexibility. From a box van, dropside or tipper, to a refrigerated body, mobile workshop, emergency services vehicle or camper, rest assured Ford offers a Transit Chassis Cab that's fit for the job.

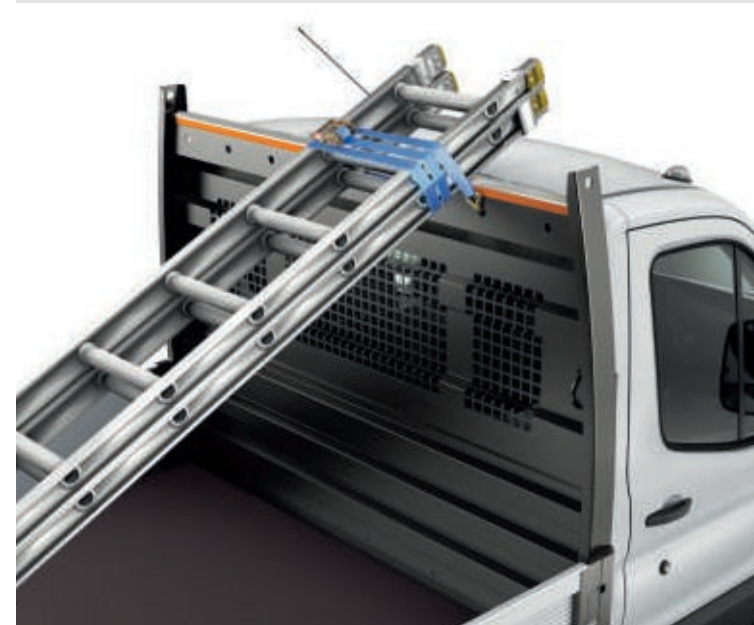
Frame lengths shown are for Chassis Single Cab models. For complete Chassis Cab dimensions please see pages 44/45. Production models may vary from images shown.

Maximum versatility.

Transit Chassis Cab is designed and built for hard work. Its robust and rigid chassis provides an excellent foundation for fitting specialist bodies. For the convenience of operators who want a quick and simple solution, our factory-built Transit 'One-Stop' bodied chassis cab range is supplied fully-equipped and ready to go. All factory-built 'One-Stop' models are manufactured to our exacting standards and comply with the latest European Community Whole Vehicle Type Approval (EUVTA) legislation.

Chassis features

- Flat, strong ladder-frame enables a wide range of body conversions to be fitted
- Three Gross Vehicle Mass (GVM) variants, from 3,140 kg to 4,700 kg
- 350HD (Heavy Duty) version available for operators requiring greater trailer plate loading flexibility from a 3,500 kg GVM vehicle.
- Wheelbase and overhang dimensions suitable for industry-standard or non-standard body sizes
- Standard-width door mirrors accommodate body sizes up to 2,170 mm. Wide-body mirrors are available for bodies up to the legal maximum of 2,438 mm. (Option)
- Robust inverted closed 'top hat' section pressed high tensile steel frame (double 'top hat' for 350HD and 470 models)
- Integral body mounting points and bolt-on rear frame overhangs, where required
- Bolted closing member allows chassis length to be customised without welding
- Higher centre of gravity suspension as standard, to cope with large bodywork
- Electrical connections for additional exterior lighting, where required
- Side exit exhaust



Ready for work

Whichever industry you work in, Transit Chassis Cab is ready with a refined and rugged platform that's compatible with a wide range of bodies. Vehicles can be supplied with a choice of useful features, including an easily accessible load bed featuring a heavy-duty steel headboard. (Production models may vary from image shown.)





Transit Chassis Double Cab is a great solution for moving both crew and load at the same time. Wide-opening doors provide easy access to the spacious, well thought-out interior. While the dual front passenger seat and standard rear quad seat together offer comfortable accommodation for up to seven occupants, including plenty of underseat stowage possibilities.

Model shown is a Transit Chassis Double Cab with Low Visibility Pack (Option), manual air conditioning (Option), passenger's* airbag (option), Lane-Keeping Alert, and SYNC 3. Navigation System (Option). Production models may vary from images shown.
***Note: A rear-facing child seat should never be placed in the front passenger seat when the Ford vehicle is equipped with an operational front passenger's airbag.**



Room for the largest crew.

Underseat stowage

Dual passenger seats feature lift-up base cushions and underseat stowage compartments, enabling tools and equipment to be carried out of sight.



Speak and Transit listens.

New Ford SYNC 3 gives you control of everything from music to phone calls, apps and text messaging through simple voice commands. The intuitive 6" colour touchscreen lets you configure your home screen just how you want it, while Applink, Apple® CarPlay and Android Auto, allow you to bring your smartphone HMI into your vehicle. Live Traffic** is available through the FordPass app connecting seamlessly via SYNC 3 with navigation*. Live Traffic gives you up-to-the-minute traffic data, enabling you to avoid congestion and save you time.

*Ford SYNC 3 navigation is optional.

**Live Traffic access is free for the first 2 years following the registration of a new Ford featuring SYNC 3 with Navigation; thereafter there is an annual licence fee. Mobile data charges may apply.

Please note: Full SYNC 3 smartphone integration only available with iPhone® 5/Android 5.0 (Lollipop) or higher. Some SYNC 3 functions require a data connection, so mobile data charges will apply. To check whether Apple® CarPlay and Android Auto are available in your market, please check official Apple® CarPlay and Android Auto websites for the latest information.



| SYNC

“Call John”

“Find town centre”

“Listen to message”

“I need fuel”

“I need to park”

“I’m hungry”



All-wheel drive confidence.

When the going gets tough, nothing beats the sure-footed performance of all-wheel drive. Available on selected models*, Transit's latest intelligent AWD system has been specially engineered to deliver optimum traction and enhanced stability in combination with the all-new Ford EcoBlue diesel engine. Together with the new engine's increased levels of low-end torque, the latest generation AWD system enables drivers to achieve smoother, more confident progress on challenging surfaces.

Optimise your drive.

Transit's all-new 2.0-litre Ford EcoBlue diesel engine is offered with a choice of three power and torque outputs, each driving through a 6-speed manual transmission. All engines comply with the Euro6 emissions standards. Selected engines are available with front, rear or all-wheel drive.

All-wheel drive is available on:

- *350 L2 and L3 Single Chassis Cab
- *350 L3 Double Chassis Cab



Front-wheel drive

- Engine availability:
 - 105PS(360Nm), 130 PS(385 Nm) and 170PS(405Nm)
- Lower kerb mass for greater payload and fuel efficiency
- 6-speed automatic transmission available as an option (130 PS engines)



Rear-wheel drive

- Engine availability:
 - 105 PS(360 Nm), 130 PS(385 Nm) and 170 PS(405 Nm)
- Superior traction when heavily laden
- Best suited for towing and heavier duty applications.



All-wheel drive

- Engine availability:
 - 130 PS(385 Nm).
- New fourth-generation driver-selectable AWD system provides extra traction in difficult driving conditions
- Under normal conditions drive is directed to the rear wheels. When engaged, the system automatically increases engine torque to the wheels with the most grip

All-wheel drive, for all-weather working

Transit's latest all-wheel drive (AWD) system automatically distributes engine torque to the front and rear wheels using a specially developed electronically-controlled AWD coupling. In conjunction with the vehicle's ESC system, the front/rear torque distribution can be varied between 0:100 and 50:50. Two modes are provided, with the standard AWD Auto mode suitable for most driving situations, and an AWD Lock mode that enhances traction in more extreme driving situations such as sand or snow.



Designed for business, built for hard work.

Ford Transit's 2.0-litre Ford EcoBlue is a completely new generation of advanced, high-performance diesel engines. More powerful, cleaner, refined and extremely efficient with low running costs[†], Ford EcoBlue diesels build on the industry-leading performance and technology of our award-winning Ford EcoBoost petrol engines.

Key benefits include:

- Fuel consumption and CO₂ emissions reduced by up to 13 per cent[†]
- Improved performance with low-rpm torque increased by 20 per cent[†]
- Computer-optimised engine design for minimum noise and vibration
- Lower nitrogen oxide (NO_x) emissions in line with Euro6 standards

[†]Comparison made to the previous 2.2L Duratorq TDCi EU Stage 5 engine for the prior model.

New from the ground up, the all-new Ford EcoBlue diesel engine enhances fuel efficiency by up to 13 per cent compared with the previous 2.2-litre TDCi engine, with fuel consumption from 41.5 mpg* (6.8 L/100km*) and CO₂ emissions from 176 g/km*, and delivers significant improvements in low-rpm torque for enhanced driveability.

Each engine in the range – 105 PS, 130 PS and 170 PS – uses state-of-the-art Ford design, including low friction technologies, ultra-high pressure fuel injection and the latest turbocharger and combustion technology to deliver low NO_x emissions in line with the Euro6 standards. What's more, the new engine also benefits from up to 2-year/36,000 miles (whichever comes first), variable service intervals to further reduce the cost of ownership.

130 PS from 41.5 mpg (6.8 L/100 km*), 176 g/km. NEDC Combined Cycle test figures.

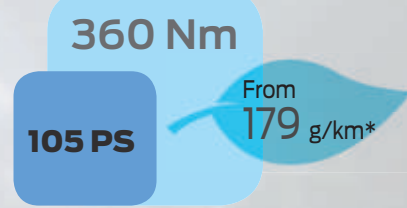


**55% less
NO_x than
the previous
standard.**

Greater performance, fewer emissions.

Transit's all-new 2.0-litre Ford EcoBlue diesel engines comply with the Euro6 emissions standards, which specify a 55% reduction in nitrogen oxide (NO_x) emissions versus the Euro5 emissions standard. A Selective Catalytic Reduction (SCR) system uses AdBlue®, a urea/water-based fluid to convert NO_x emissions in the exhaust gas into nitrogen and water. A particulate filter then reduces more than 99% of emitted solid particles from the vehicle's exhaust.

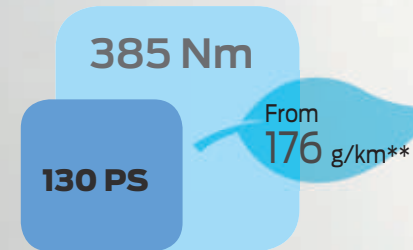
Choose the engine that's right for you.



More efficient†

All-new 2.0L Ford EcoBlue 105 PS

Engineered to meet the Euro6 emissions standards, Transit's all-new 2.0-litre Ford EcoBlue 105 PS (77 kW)/360 Nm diesel engine combines outstanding fuel efficiency (from as low as 40.9 mpg* combined) with excellent driveability and refinement. Its state-of-the-art Ford design helps to keep running costs down without compromising on payload or performance.

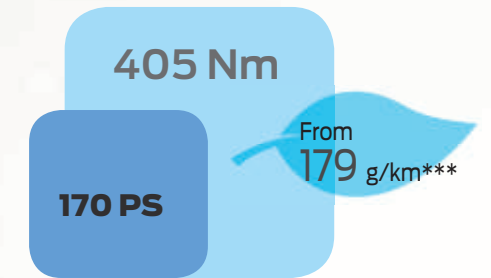


More flexible†

All-new 2.0L Ford EcoBlue 130 PS

The all-new 2.0-litre Ford EcoBlue 130 PS (96 kW)/385 Nm Euro6 diesel engine strikes a performance balance. It delivers extra power and torque necessary to enhance Gross Train Mass (GTM) and braked trailer plate without compromising emissions.

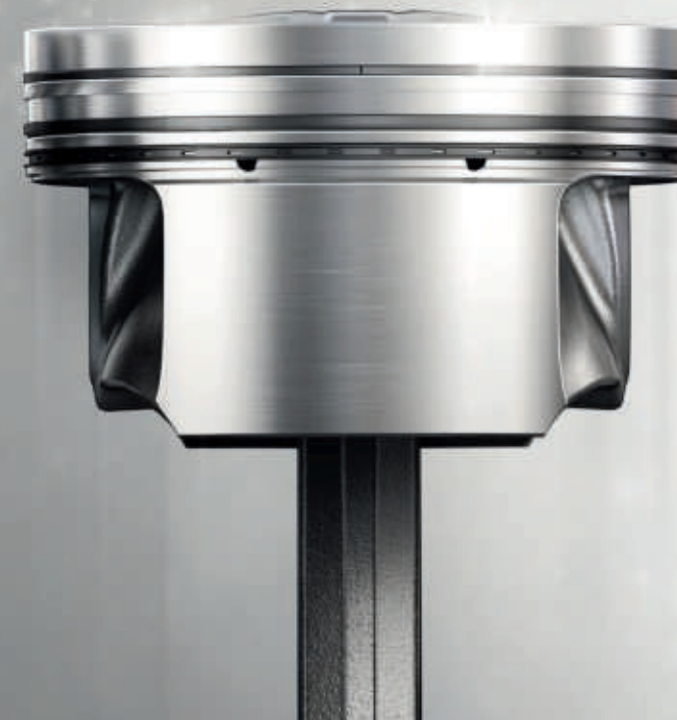
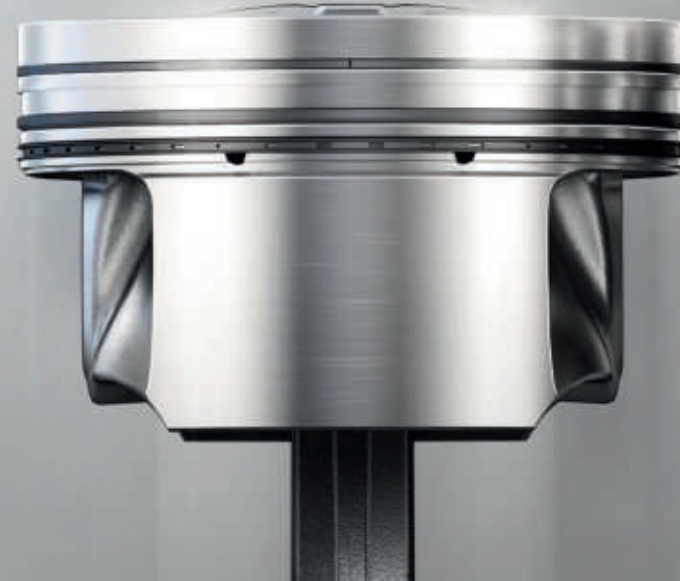
**130PS from 176 g/km. NEDC Combined Cycle test figures.



More powerful†

All-new 2.0L Ford EcoBlue 170 PS

The outstanding all-new 2.0-litre Ford EcoBlue 170 PS (125 kW) Euro6 diesel engine develops an extraordinary 405 Nm of torque. As the most powerful engine in the range, its hard-working character makes it the ideal choice for moving heavy loads and towing, while still delivering outstanding fuel efficiency (from as low as 40.9 mpg*** combined).

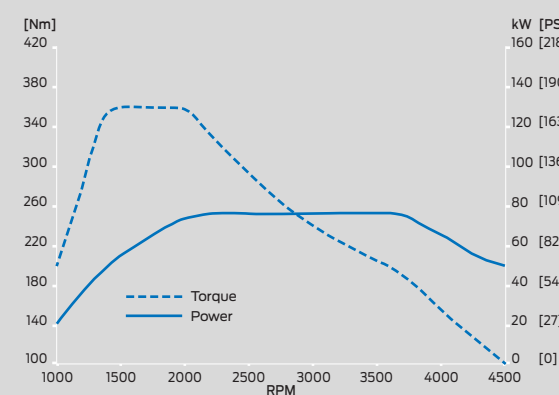


More torque. More pulling power.

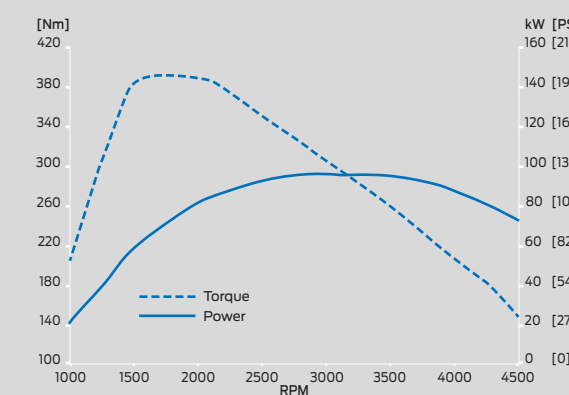
With more peak power and torque, and up to 20% more low-end torque than the equivalent prior-generation engine†, each of the 2.0-litre Ford EcoBlue engines provides excellent performance, both in terms of fuel economy and flexibility. A choice of three power and torque outputs means there's an engine to suit the demands of every job.

†Comparison made to the previous 2.2L Duratorq TDCI EU Stage 5 engine for the prior model.

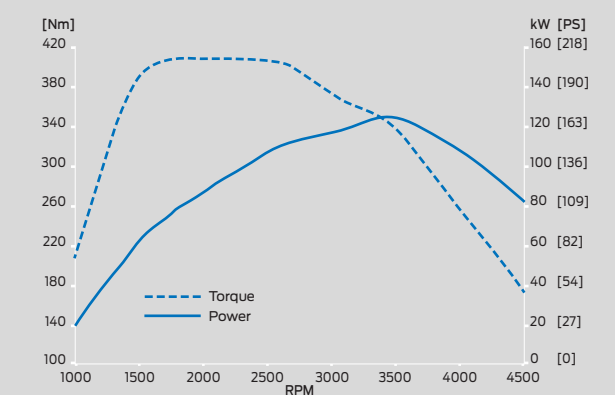
105 PS (77 kW) all-new 2.0L Ford EcoBlue



130 PS (96 kW) all-new 2.0L Ford EcoBlue



170 PS (125 kW) all-new 2.0L Ford EcoBlue





SelectShift automatic transmission



Transit's six-speed SelectShift automatic transmission delivers a smooth, relaxing driving experience, especially in busy stop-start traffic. The transmission allows you to change gear manually, if you prefer, using the facia-mounted gearshift. Additionally, it provides the ability to lockout gears in more challenging driving conditions, e.g. on slippery surfaces or steep gradients.

The sum of all parts adds up to less cost.

Quality and durability are built into Transit Chassis Cab at every step. After many years of service it will feel as good, and be as rewarding to drive, as the day you picked it up.

Extended variable service intervals of up to 36,000 miles or two years (whichever occurs first) helps reduce your running costs.

Auto Start-Stop automatically switches off the engine when you come to a halt and put the vehicle in neutral. Restarts smoothly when you want to move off, reducing fuel consumption and exhaust emissions. (Option. Standard on models with automatic transmission. Not available with AWD)

Engine oil monitor warning light will illuminate if the condition of the engine oil deteriorates between services. (Standard)

High-level headlight units are mounted above the bumper line, to help keep them out of harm's way and protect them from low speed accident damage. (Standard)

Brake pad wear sensors warn when the pads are due for renewal. (Standard)

Fuel filter sensor warns of water ingress or a blockage of the fuel system. (Standard)

Ford Easy-Fuel capless refuelling system a unique safeguard ensures that nobody can accidentally fill up with the wrong fuel. Plus, no dirty fuel caps to touch. (Standard)

12-year perforation warranty provides reassurance against perforation of the bodywork from the inside of the panel. (Standard) Terms and Conditions apply.



Side Wind Stabilisation⁽¹⁾

Helps the driver to stay in lane in strong, gusty conditions by using the ESC system to sense when the vehicle is being affected by crosswinds. (Standard)



Driver Alert⁽²⁾

Designed to warn you if the system detects driving behaviour that indicates a drop in alertness levels. Initially, a warning icon is displayed in the instrument cluster, followed by a warning chime if driving alertness further declines. (Option as part of Lane Keeping Alert Pack. Standard on 350HD & 470 models)

When there's no time to think, Transit's already reacted.

Lane-Keeping Alert⁽²⁾

It only takes a momentary slip in concentration to drift out of your lane when driving on the highway. Lane-Keeping Alert is designed to recognise when you approach the road markings without using the indicator, and alerts you with vibrations through the steering wheel. (Option)

⁽¹⁾Uses sensors.
^(*)Operates at speeds over 45mph on multi-lane roads with clearly visible lane markings.
⁽¹⁾Safety feature.
⁽²⁾Driver assistance feature.



Utility and cargo conversions.



Outstanding flexibility

Transit Chassis Cab is the ideal vehicle range for specialist conversions. The combination of a high tensile steel frame construction, integral mounting points and low frame rails allow Transit to fulfil a multitude of tasks, with little or no modification.



In great shape for bodybuilding.

Throughout Transit Chassis Cab's development we worked closely with the bodybuilding industry to ensure that all standard body types, and most bespoke solutions, can be fitted easily and efficiently. A choice of cab styles, frame lengths and driveline configurations provide a solid base for a variety of conversions, and mean that almost any adaptation is possible.

Body conversions shown are for illustrative purposes only. Production models may vary from images shown.
 Note: technical information for vehicle converters can be found online via the Body and Equipment Mounting Manual (BEMM).
www.etis.ford.com - information - vehicle conversions

Emergency and wheelchair accessible conversions.



Recreational and passenger conversions.



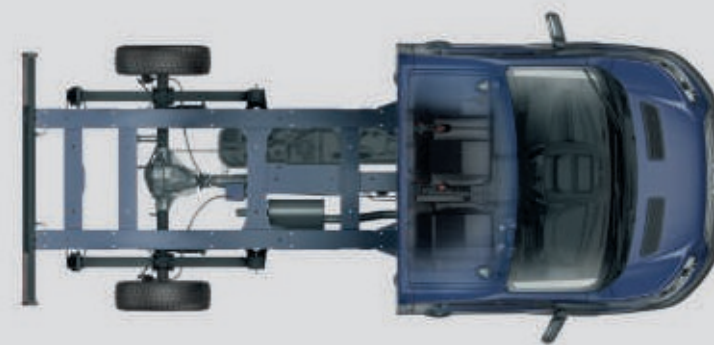
Chassis Cab - L1
Single rear wheel
RWD
Chassis frame length 2,775 mm

3,100
kg GVM
2/3 seats



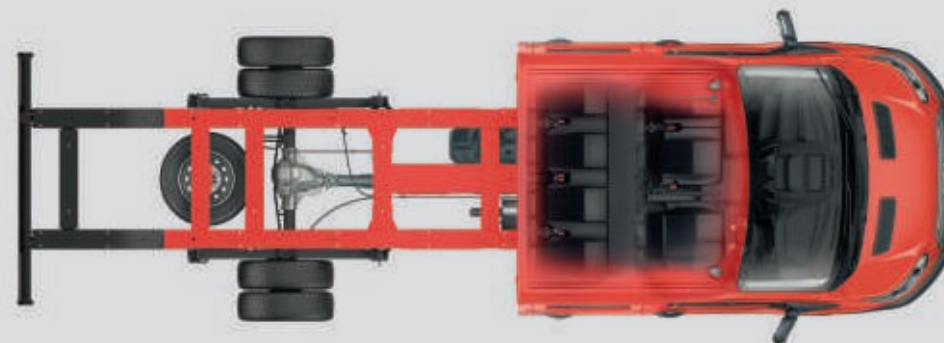
Bodystyles and capacity

Single (L1-L5) and Double Cab (L3-L5) room for up to seven people in the Double Cab, and a choice of single or dual rear wheels on selected models. Transit Chassis Cab lets you configure a vehicle that's right for your business.



Chassis Cab - L2
Single rear wheel/Dual rear wheel
FWD / RWD (AWD available on 350 series)
Chassis frame length 3,142 mm

3,500-4,700
kg GVM
2/3 seats



Chassis Cab - L3
Single rear wheel/Dual rear wheel
FWD / RWD (AWD available on 350 series)
Chassis frame length 3,592 mm

3,500-4,700
kg GVM
2/3 seats



Double Chassis Cab - L3
Single/Dual rear wheel
FWD/RWD /AWD
Chassis frame length 2,777 mm

3,500-4,700
kg GVM
6/7 seats



Chassis Cab - L4
Single rear wheel/Dual rear wheel
FWD / RWD
Chassis frame length 4,149 mm

3,500-4,700
kg GVM
2/3 seats



Double Chassis Cab - L4
Single/Dual rear wheel
RWD
Chassis frame length 3,159 mm

3,500-4,700
kg GVM
6/7 seats



Chassis Cab - L5
Single rear wheel/Dual rear wheel
RWD
Chassis frame length 5,147 mm

3,500-4,700
kg GVM
2/3 seats



Double Chassis Cab - L5
Single/Dual rear wheel
RWD
Chassis frame length 4,149 mm

3,500-4,700
kg GVM
6/7 seats





Ford Easy-Fuel capless refuelling system
(Standard fuelling nozzle available as an option)



Image shown is a Ford Transit Chassis Cab L3 Base in Race Red solid body colour. Production Models may vary from image shown.

Base

Exterior features

- Daytime running lights
- Roof marker lights
- Side marker lights (L4, L5 and those fitted with wide droptside floats)
- Door mirrors with large blind spot eliminator
- Door mirrors with integrated side indicators
- Half cap wheel covers (front wheels only for dual rear wheel models)
- Headlight courtesy delay
- Wide bodyside mouldings
- Wide-opening 2nd row rear doors (with fixed windows) (Chassis Double Cab)

Interior features

- Dual passenger's seat with underseat stowage compartment
- Quad rear passenger seat with lift-upseat stowage compartment (Double Chassis Cab)
- Electrically-operated front windows
- Remote central locking
- My Connection radio with Bluetooth*, USB/iPod connectivity, remote audio controls and four front speakers
- Trip computer
- Driver's 4-way seat adjust
- Rake-and-reach adjustable steering column
- Front overhead console
- Gearshift Indicator light
- Courtesy lights with theatre dimming
- Easy-clean rubber floor covering in cab

Note *The Bluetooth® word mark and logos are owned by the Bluetooth SIG, Inc. and any use of such marks by Ford Motor Company Limited and its associated companies is under licence. Other trademarks and trade names are those of their respective owners.

Option Pack

- Low Visibility Pack (contents include heated windscreen, washer fluid sensor and electrically-operated and heated door mirrors)
- High Visibility Pack (contents include power heated and power fold mirrors, Quickclear windscreen, automatic headlights, rain sensitive wipers and front fog lights)
- SVO Double Cab Utility Area A989: Wide-opening 2nd row rear doors (with unglazed windows) (Chassis Double Cab)
- Lane-Keeping Alert: Driver Alert, Leather Steering Wheel, Quickclear, Trip Computer and Cruise Control

For further option availability, please refer to the specification section.

Engines

- 105 PS (77 kW)/360 Nm
- 130 PS (96 kW)/385 Nm
- 170 PS (125 kW)/405 Nm



Ford Transit One-Stop



Ford Transit One-Stop

Ford Transit is renowned for its versatility and flexibility, Transit is the ideal platform for a wide range of specialist applications and bespoke conversions. What's more, for the convenience of those operators who want a quick and simple, work-ready solution, Ford offers the Transit 'One-Stop' range of bodied Chassis Cabs.

Chassis Cab L2 shown

Single rear wheel/Dual Rear Wheel Pack available as an option on 350 series; DRW standard on 470 series
Internal body length 3220 mm

3,500-4,700
kg GVM *



One-Stop 1-way Tipper

Strong, rugged and purposeful, the Ford Transit Tipper represents superb functionality, with quality of design and manufacture. It is seen as a versatile, reliable partner by a wide range of industries where safety and productivity are paramount.

Tipper are expected to operate in adverse conditions and are subject to a wide range of payloads. SRW provides increased payload whilst Transit's DRW rear wheel drive configuration provides excellent traction and loading latitude often required on and off site.

Available in two cab formats: Single Cab; and the flexible Double Cab with crew seating and glazed crew doors as standard. Alternatively, no crew seating with windowless rear crew doors can be specified to form the basis of a Utility Cab conversion. This provides a secure load space behind the driver in the crew compartment. Optional bodywork equipment is available from the bodywork supplier via your Ford Transit Specialist Dealer*. Typical options include polytarps, toolboxes, amber beacons, chevrons, ply or polypropylene load liners, rear light guards, and tow bars with a range of ball or clevis couplings and various pin electrical.

Features include:

- 1-way rear tipping capability
- Powder-coated, hot-dipped galvanised steel construction
- Tough roll form to rear floor edge
- Body colour dual-skin aluminium side and tailboards
- Pull-up load-lashing points in load bed
- Sheeting hooks to underside of load bed, front headboard and rear
- Twin AGM battery electrical system
- Programmable Battery Guard
- 5-stage chrome-plated underfloor ram
- 2 kW electro-hydraulic power pack
- 45-degree tip angle
- Single rear wheel/Dual rear wheel (DRW Standard on 470)
- Production models may vary from those shown.
- TÜV certification for safety and production conformity
- Machinery Directive - TUV 2006/42/EC 2009/19/EC conformity approved.
- 3-year 100,000 mile warranty
- DRW Pack available as an option on 350 series. DRW standard on 470 series.

Range Available:

- Chassis Single Cab 1-way Tipper (L2)
- Chassis Double Cab 1-way Tipper (L3)



Bottom-hinged tailboard

'Tip-over' tailboard configuration controlled by latches mounted in the rear pillars, suitable for most applications, especially large bulk loads.



Dual-mode hinged tailboard

Standard dual-mode top and bottom-hinged tailboard. Top-hinged or 'Tip-thru' operation controlled by side-mounted remote lever.



Sequenced hydraulic body hold-down

Fully-automatic and controlled by hydraulic line pressures requiring no intervention by the operator.



Side pillar-mounted latches

Steel latches for sideboards and tailboard. Handle folds out of the way when unlatched and is removable for repair or replacement.



Tipper controls

Tipper 'Control Station' located adjacent to the driver's seat, houses all the Tipper controls.

One-Stop 3-way Tipper

The Ford Transit 3-way Tipper is engineered to the same high standards as the 1-way Tipper, with the added benefits of tipping to both sides of the vehicle, as well as to the rear.

The 3-way Tipper represents the ultimate in site vehicle versatility, and is especially useful on sites with restricted access. In addition to the standard dual mode top and bottom hinged tailboard, the sideboards can be retained by chains to dispense the load away from the vehicle, or dropped fully to allow easy material loading and off-loading.

Robustness and durability are qualities that every Tipper operator is looking for. Any items that are likely to get damaged or worn are designed to be replaced and maintained easily, helping to reduce downtime and maintenance costs.

Features include:

- 45-degree tip angle – rear, nearside, offside
- Chrome-plated 5-stage underfloor ram with built-in shock absorber
- Tough roll-form edge to load deck sides and rear
- Plug-in wander lead pendant control handset
- Twin AGM battery electrical system
- Programmable Battery Guard
- Top- and bottom-hinged tailboard
- Sideboard 90-degree retaining chains
- 3 year 100,000 mile warranty
- TÜV certification for safety and production conformity
- Machinery Directive - TUV 2006/42/EC 2009/19/EC conformity approved.
- DRW Pack available as an option on 350 series. DRW standard on 470 series.

Range available:

- Chassis Single Cab 3-way Tipper (L2)
- Chassis Double Cab 3-way Tipper (L3)

* Please refer to Weights and Loads section for more information
Production models may vary from those shown



Chassis Cab L2 shown

Single rear wheel/Dual rear wheel (DRW pack available as an option on 350 series; DRW standard on 470 series)
Internal body length 3220 mm

3,500-4,700
kg GVM *



Remote wander lead handset

Plugs into socket below driver's seat giving the operator control when side tipping.



Configuration bar

Ensures correct fitment of pivot index pins to enable side or rear tip pivot configurations.



Pivot pins

Control the tip configuration by locking or releasing ball-and-socket body pivots.



Integral body prop

Essential for routine maintenance and inspection.



5-stage chromium-plated underfloor ram

Mounted in a steel gimbal with electrical limit switches controlling angle of tip.



Top-hinged tailboard

'Tip-thru' tailboard ideal for 'fluid' loads, such as sand, gravel and top-soil.

Premium and Standard Dropside

The Ford Transit Premium and Standard Dropside are stylish, easy-to-drive vehicles for operators seeking a cost-effective, yet professional image for their business. Body lengths available are L1 to L5 and payloads range up to 2,323 kg. To compliment the Premium Dropside various accessories are available to ensure more specific requirements are met

From 2.93 to 5.30 metres, there is a model to suit most operating needs.



Standard Dropside L2 shown

GVM* 350 105PS FWD
Single Rear Wheel
Internal body length 3205 mm

Chassis Cab L4 shown

Premium Dropside
Single rear wheel/Dual rear wheel
FWD/RWD/AWD
Internal body length 4230 mm

3,100-4,700
kg GVM *



Range available:

- Single Cab L1 - L5
- Double Cab L3 - L4

- Load bed access is a key requirement for Dropside users, therefore on the Premium Dropside four steps are provided enabling access with the sideboards raised or lowered. In addition, two profiled grab handles ensure safe access for the operator.
- A generous number of load anchor points are available on the Premium platform and headboard, ensuring the payload can always be safely retained.
- To compliment the Premium Dropside a range of accessories are available.
- Tail-lifts, load cranes, toolboxes, beacons and bespoke paint schemes can be specified on Premium Dropside to meet the demands of an increasing variety of operating tasks.

Premium Dropside Features include:

- Replaceable resin-bonded 15 mm ply load deck
- Substantial all-steel powder-coated headboard
- Double Skinned body colour aluminium sideboards and tailboards with integral bump rubber
- Flush-mounted load-lashing rings to raves, plus roping eyes to underside of raves plus roping eyes to underside of raves.
- Robust, lightweight aluminium and steel subframe
- Wider range of powertrains, drive lines and GVM's available
- Premium Dropside available L1 - L5
- Single and double cab FWD, RWD, AWD and Automatic
- ESC/ABS/Hill Start Assist
- ECWVTA 2007/46/EC Approved

Range available:

- Single Chassis Cab L1 - L5 310 - 470 GVM
- Internal body lengths - 2850 - 5223 mm
- Double Chassis Cab L3 - L4 350 - 470 GVM
- Internal body lengths - 2850 - 4230 mm

Standard Dropside Features include:

- Stainless steel tailboard 90 degree retainers
- Fold out step access to bed with step in tailboard
- Aluminium unpainted side and tail boards
- Headboard lashing/D Rings
- Factory produced reducing lead times
- Additional 100kg payload versus Premium Dropside model comparison
- Competitively priced versus Premium Dropside
- ESC/ABS/Hill Start Assist
- Standard Dropside available L2 350 105PS FWD only

Range available:

- Single Chassis Cab L2 350 105PS FWD only
- Internal body length 3205 mm



Fold-out steps

Allow access with sideboards lowered.

Model shown Premium Dropside



Load anchors

Pull-up load retention rings sit flush with the load platform when not in use.

Model shown Premium Dropside



Sheeting hooks

Underfloor-mounted hooks for securing load sheets.

Model shown Premium Dropside

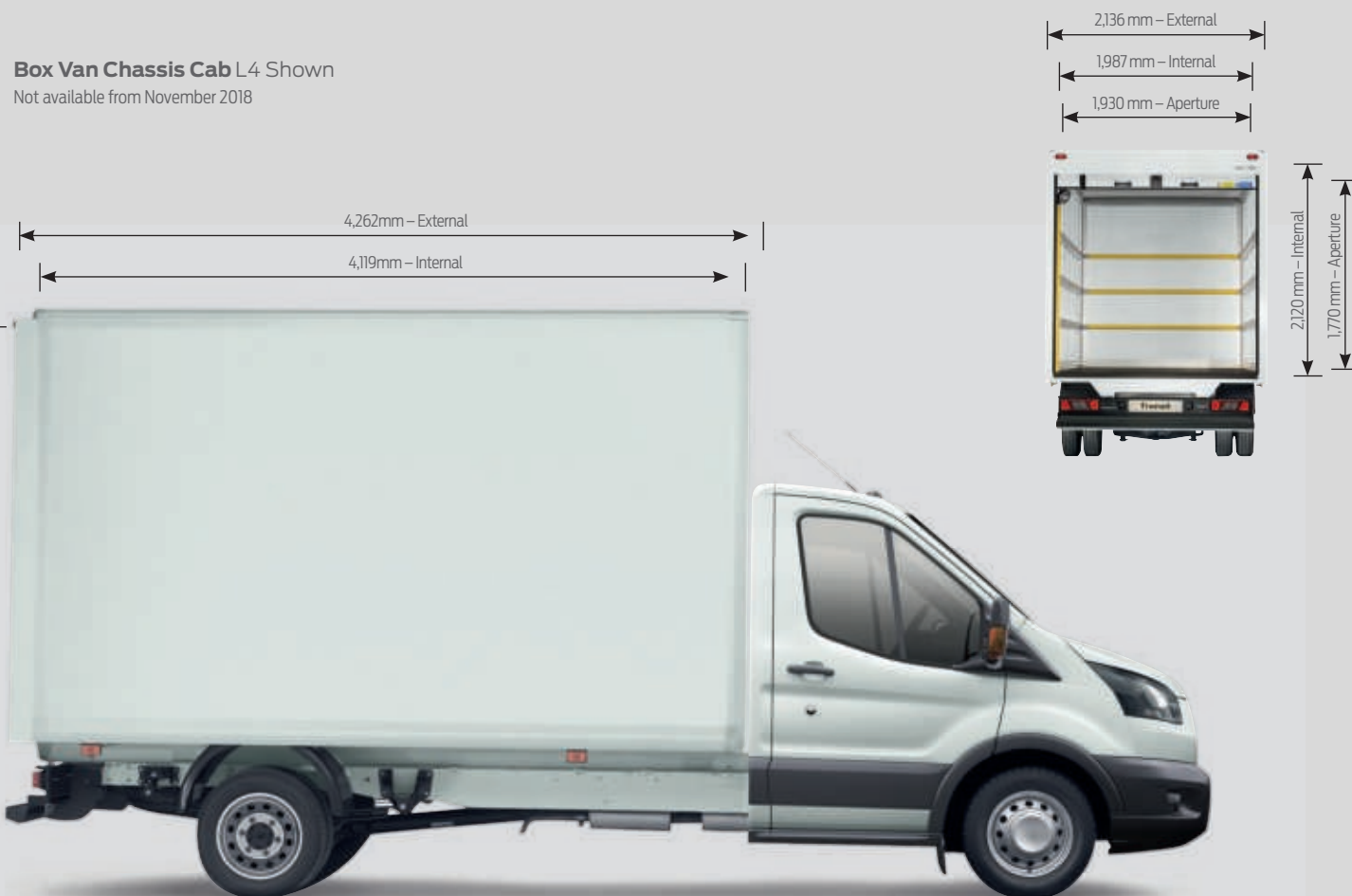
Luton Van L4 Shown

Front Wheel Drive, Single Rear Wheel
Rear Wheel Drive, Single or Dual Rear Wheel
Chassis Frame Length L3 - 3,592mm, L4 - 4,149 mm



Box Van Chassis Cab L4 Shown

Not available from November 2018



One-Stop Luton Van

The addition of Front Wheel Drive, also available in L3 and L4, built to take every day knocks, provides even more One Stop Shop choices. FWD offers increased payload versus RWD. Constructed using Polyester/Foam-Core panels, durable and robust enough to cope with everyday knocks, and harsh use meted out in multi-drop distribution. The FWD drivetrain provides the customers with the choice of automatic or manual transmission.

The steel door frame includes the necessary fixation points for optional tail-lift installation.

A range of optional bodywork equipment provides true flexibility, allowing you to tailor the body to match your specific requirements.

With a choice of 130 PS or 170 PS all new Ford EcoBlue TDCi diesel engines, a comfortable cab and a host of convenient features, including an easy open rear shutter and translucent plastic roof, the Ford Transit Luton Van makes perfect sense all round.

Features include:

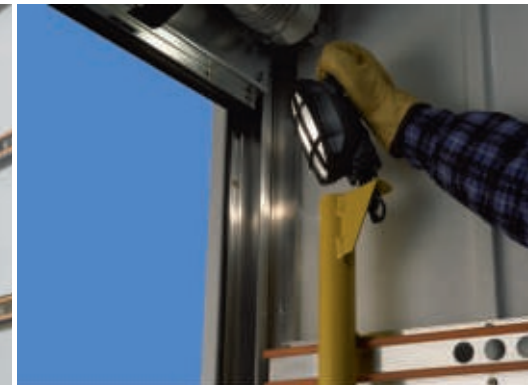
- 3490- 4090mm internal load length
- 2025 - 2125mm internal load width, Rear wheel drive models feature wide body
- Box constructed of 2 piece profile system. No externally visible fixations or sealing
- Dead lock body-coloured aluminium slat roller shutter with pull bar handle
- Internal emergency rear door release and sidewall-mounted load restraint rails
- Up to 20.1m³ load space capacity (L4 DRW)
- 15 mm phenolic resin-bonded two-piece plywood floor
- Full-width aluminium Hi Viz rear step for variants less Tail-lift
- Full-height internal access grab handle
- Overhead stowage
- Body finished Frozen White
- Luton Van products and optional features are ECWVTA compliant

Images are for reference only and may differ between converter



Load retention poles

Multi-position, telescopic load retention poles available from converter at additional cost.



Internal spot light

Rear-mounted spot light with switch, adjustable to allow coverage inside and outside of the load area.



Grab handle and step

Standard nearside bulkhead mounted grab handle with optional side underrun guard step, tubular stirrup step fitted as standard.



Rear shutter

Wide-slat rear shutter gives maximum internal headroom.

Load anchors

Load anchorage points located in the lower rail.

Electronic Stability Control

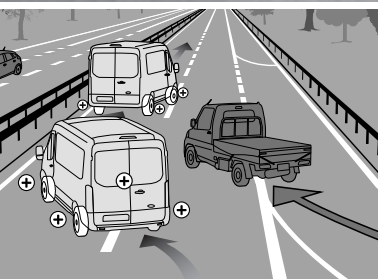
Ford Transit is fitted with Electronic Stability Control (ESC)⁽¹⁾ as standard. The advanced system constantly monitors the path the vehicle is following and compares it to the driver's intended course. If ESC senses a significant difference, it automatically reduces engine torque and applies brakes to individual wheels to help stabilise the vehicle and keep it on track.

Side Wind Stabilisation⁽¹⁾

Helps the driver to stay in lane in strong, gusty conditions by using the ESC system to sense when the vehicle is being affected by crosswinds. (Standard).

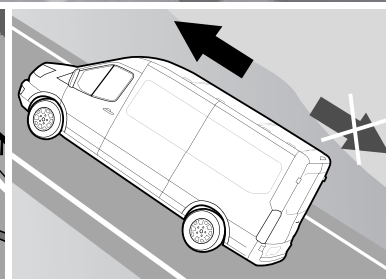
Curve Control⁽¹⁾

Senses when a driver takes a curve too quickly, and can rapidly reduce engine torque – and apply brakes to individual wheels – to help keep the vehicle under control. (Standard)



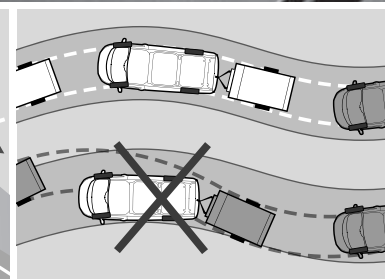
Roll Stability Control⁽¹⁾

Ford's unique roll-rate sensor helps the Roll Stability Control system to keep the tyres grounded under conditions of high centre of gravity and when driving through off-camber turns. (Standard)



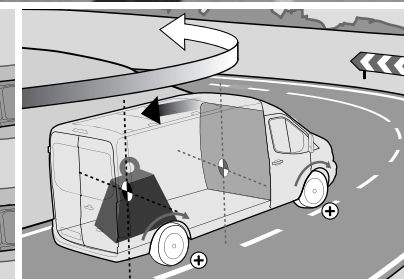
Hill Start Assist⁽²⁾

Designed to temporarily prevent you from rolling down a slope when you move your foot from the brake pedal to the accelerator pedal. It works in forward and reverse gears, so is ideal for towing and pulling heavy loads. (Standard)



Trailer Sway Control⁽¹⁾

When it detects trailer sway, the system is designed to reduce engine torque and apply the brakes to the appropriate wheel(s) to help maintain control. Standard, with Ford factory-fit towbar.



Load Adaptive Control⁽¹⁾

Designed to adjust the responses of the ESC⁽¹⁾ system to compensate when the vehicle is unladen, partially- or fully-laden. (Standard)

Get the most from your new Ford

We want to help you get the most from your new Ford. And to do that, you need to know how much it is designed to safely carry. Your Ford Transit Centre can provide professional advice on important specification aspects, and help to find the right chassis for your budget and business needs.

The Ford Transit is designed to carry cargo – and lots of it.

Choosing a new vehicle is an important decision with lots of factors to be considered. While some aspects, like selecting the most appropriate derivative, identifying the intended primary use are relatively simple, others, such as calculating payload are more complex.

Payload capacity

To calculate payload, you need to know two things: the vehicle's gross vehicle mass (GVM) and its kerb mass.

GVM is the maximum permissible weight of the vehicle when loaded and ready to go – that includes the weight of the vehicle itself, ancillaries, driver and crew (assuming the industry standard weight of 75 kg/person), fluids, fuel tank 90% full (1 litre of diesel = approximately 0.85 kg), optional and aftermarket equipment, and cargo.

For simplicity, Ford Transit models are designated according to their GVM. For example, a 350 has a GVM of c. 3,500kg; and a 310 has a GVM of c. 3,100 kg.

Kerb mass is the weight of a standard-specification Base series vehicle, including fluids and fuel tank 90% full, but without the driver, crew or cargo. If you intend to load the vehicle close to its maximum capacity, it is recommended that you add a margin for error of 5% of the kerb mass to the kerb mass figure before calculating payload, to reduce the risk of overloading.

Payload is the difference between the two.

Gross vehicle mass minus kerb mass = payload

So to help you choose the right vehicle for your needs, here are some more detailed explanations about the factors that can influence a vehicle's payload. These include, but are not limited to:

Driver and crew

We calculate the weight of the driver and crew based on the industry-standard weight of 75 kg/person. Remember that the driver and crew are not included in the kerb mass figure, so when a driver or crew boards the vehicle, its payload will be reduced accordingly.

Factory-fitted options

Most factory-fitted options will affect a vehicle's payload. For example, air conditioning can add approximately 18 kg to a vehicle's weight, and therefore reduce its payload accordingly.

However, specifying a single front passenger seat in lieu of the standard dual seat will reduce the vehicle's weight by approximately 12 kg, and increase its payload by the same amount. Your Ford Transit Centre will be able to tell you what features can add or reduce your vehicle's kerb mass and by how much

Series

All kerb masses quoted in this brochure are for standard-specification models.

Manufacturing tolerances

Variations in manufacturing and production processes mean that no two vehicles are likely to weigh exactly the same.

Accessories and aftermarket conversions

It is important to think carefully about what to do with your vehicle after you take delivery. Any accessories fitted or aftermarket conversions to the vehicle may adversely affect its payload. Please speak to your Ford Transit Centre for more information and advice.

If payload is critical to your business, or if you plan to carry cargo at, or close to, the vehicle's maximum capacity, your Ford Transit Centre can help. Using their specialist expertise and knowledge, they can advise you on the exact specification of vehicle required to meet your individual business needs.

Note: Technical information for vehicle converters can be found online via the Body and Equipment Mounting Manual at www.etis.ford.com; go to >information >vehicle conversions.

Configure your vehicle to suit your job

Ford Commercial Vehicles are available with a wide range of standard and optional features. Your Ford Transit Centre can help you ensure that you specify the right vehicle features for your specific business needs, including technical items to aid aftermarket fitment of specialist equipment or conversion.

⁽¹⁾Uses sensors.

⁽¹⁾Safety feature.

⁽²⁾Driver assistance feature.

Production models may vary from those shown.

One-stop vehicles

	SCC - Standard Dropside		SCC - Premium Dropside		350 L2 FWD		350 L2 AWD		470 L2 RWD (DRW)		350 L3 RWD		350 L3 FWD		350 L3 AWD		470 L3 RWD (DRW)		350 L4 FWD		350 L4 AWD		470 L4 RWD (DRW)		350 L5 RWD		470 L5 RWD				
Dimensions	Rear axle ratio	350 L2 FWD	310 L1 RWD	350 L2 RWD	350 L2 FWD	350 L2 AWD	470 L2 RWD (DRW)	350 L3 RWD	350 L3 FWD	350 L3 AWD	470 L3 RWD (DRW)	350 L4 RWD	350 L4 FWD	350 L4 AWD	470 L4 RWD (DRW)	350 L5 RWD	470 L5 RWD														
Body Length in mm (External)		3270	2932	3300	3300	3300	3300	3760	3760	3760	3760	4310	4310	4310	4310	5303	5300														
Body Length in mm (Internal)		3205	2850	3220	3220	3220	3220	3680	3680	3680	3680	4230	4230	4230	4230	5223	5223														
Body Width in mm (External)		2208	2100	2100	2100	2100	2200	2100	2100	2100	2200	2100	2100	2100	2200	2100	2200														
Body Width in mm (Internal)		2038	2038	2038	2038	2038	2138	2038	2038	2038	2138	2038	2038	2038	2138	2038	2138														
Plated weights (kg)																															
Front Axle Mass		1750	1550	1850	1750	1750	1850	1850	1750	1750	1850	1850	1750	1750	1850	1850	1850														
Rear Axle Mass		2150	1725	2150	2150	2150	3300	2250	2250	2250	2250	3300	2250	2250	3300	2250	3300														
GVM		3500	3140	3500	3500	3500	4700	3500	3500	3500	4700	3500	3500	3500	4700	3500	4700														
GTM																															
2.0 TDCi Ford EcoBlue 105 PS	4.71	5100	-	-	5100	-	-	-	-	-	-	-	-	-	-	-	-														
2.0 TDCi Ford EcoBlue 130 PS	3.31/3.73	-	5100/5500	5500/5500	-	-	-	5500/5500	-	-	-	5500/5500	-	-	-	-	-														
2.0 TDCi Ford EcoBlue 170 PS	3.15	-	-	5500	-	-	-	5500	-	-	-	5500	-	-	-	5500	-														
2.0 TDCi Ford EcoBlue 130 PS	3.55	-	-	6000	-	-	-	6000	-	-	-	6000	-	-	-	6000	-														
2.0 TDCi Ford EcoBlue 170 PS	4.10	-	-	-	-	-	6000	6000	-	-	-	6000	6000	-	-	-	6000	-													
2.0 TDCi Ford EcoBlue 130 PS	4.43	-	-	-	5050	-	-	-	-	-	-	5050	-	-	-	5050	-														
2.0 TDCi Ford EcoBlue 130 PS	4.71	-	-	-	5500	-	-	-	-	-	-	5500	-	-	-	5500	-														
2.0 TDCi Ford EcoBlue 130 PS	3.65	-	-	-	-	4250	-	-	-	-	-	4250	-	-	-	4250	-														
2.0 TDCi Ford EcoBlue 170 PS	3.15	-	-	5500	-	-	-	5500	-	-	-	5500	-	-	-	5500	-														
2.0 TDCi Ford EcoBlue 170 PS	3.55	-	-	6300	-	-	-	6300	-	-	-	6300	-	-	-	6300	-														
2.0 TDCi Ford EcoBlue 170 PS	4.10	-	-	-	-	-	7000	-	-	-	-	7000	-	-	-	7000	-														
2.0 TDCi Ford EcoBlue 170 PS	4.71	-	-	-	5500	-	-	-	-	-	-	5500	-	-	-	5500	-														
2.0 TDCi Ford EcoBlue 170 PS	4.93	-	-	-	-	-	-	6000	-	-	-	-	-	-	6000	-	-														
Gross Payload in kg																															
105 PS – with Single Rear Wheel*	1461	956	1264	1364	-	-	-	1209	-	-	-	1142	-	-	-	-	-														
130 PS – with Single Rear Wheel*	-	-	1264	1364	1311	1181	2303	1209	1312	1280	1126	2265	1142	1213	1245	-	984	2071													
170 PS – with Single Rear Wheel*	-	-	1264	1364	-	-	2303	1209	1312	-	-	2265	1142	-	1245	2198	984	-													

Note: All engines are Stage VI and include Selective Catalytic Reduction system (AdBlue®). ^{oo}The illustrated axle ratio shown is the one available dependent upon model, payload and engine combination. ***Gross Payload** = Gross vehicle mass, less kerb mass. **GVM** = Gross vehicle mass. The total permissible all-up weight of a rigid vehicle – i.e. with body, payload, ancillaries, fuel, oil, water, driver and crew. ***Kerb mass** = The weight of the complete vehicle and all equipment including fuel and water, but without payload, driver or any crew. All kerb masses quoted are subject to manufacturing tolerances and are for Base models with minimum equipment- unless stated otherwise. Higher specification models will have greater kerb masses and, therefore, lower payloads due to the increased amount of standard equipment. Any additional options specified on the vehicle will reduce the payload accordingly. **GTM** = Gross train mass. The total permissible all-up weight of a rigid vehicle (see GVM) together with its trailer and load. For customers intending to load vehicles close to the maximum payload, we suggest you also add a margin for error of 5% of Kerb Mass to the Kerb Mass figure before calculation, to reduce the risk of overloading.

One Stop Shop - Weights/Loads and Dimensions - Double Chassis Cab Dropside

	Axle ratio	350 L3 FWD		350 L3 RWD		DCC Dropside		350 L4 RWD		470 L3 RWD		470 L4 RWD	
Plated weights (kg)													
Front Axle Mass (SRW/DRW)		1750/-		1850/1850		1850/-		1850/1850		-/1850		-/1850	
Rear Axle Mass (SRW/DRW)		2250/-		2250/2450		2250/-		2250/2450		-/3300		-/3300	
GVM		3500		3500		3500		3500		4700		4700	
GTM													
2.0 TDCi Ford EcoBlue 130/170 PS	4.71	5500		-		-		3500					4700
2.0 TDCi Ford EcoBlue 130 PS	4.43	5050		-		-		-					-
2.0 TDCi Ford EcoBlue 170 PS	4.93	6000		-		-		-					-
2.0 TDCi Ford EcoBlue 105 PS	3.31	-		5500		-		5500					-
2.0 TDCi Ford EcoBlue 130/170 PS	3.15	-		5500		-		5500					-
2.0 TDCi Ford EcoBlue 130 PS	3.55	-		6000		-		6000					-
2.0 TDCi Ford EcoBlue 130 PS	4.10	-		-		-		-					6000
2.0 TDCi Ford EcoBlue 170 PS	3.55	-		6300		-		6300					-
2.0 TDCi Ford EcoBlue 170 PS	4.10	-		-		6000		-					7000
Gross Payload in kg													
105 PS – with Single Rear Wheel*		-		1102		-		-		-		-	-
130 PS – with Single Rear Wheel*		1205		1102		1019		1059		-		-	-
170 PS – with Single Rear Wheel*		1205		1102		-		1059		2158		2115	-

Note: All engines are Stage VI and include Selective Catalytic Reduction system (AdBlue®). ^{oo}The illustrated axle ratio shown is the one available dependent upon model, payload and engine combination. ***Gross Payload** = Gross vehicle mass, less kerb mass. **GVM** = Gross vehicle mass. The total permissible all-up weight of a rigid vehicle – i.e. with body, payload, ancillaries, fuel, oil, water, driver and crew. ***Kerb mass** = The weight of the complete vehicle and all equipment including fuel and water, but without payload, driver or any crew. All kerb masses quoted are subject to manufacturing tolerances and are for Base models with minimum equipment- unless stated otherwise. Higher specification models will have greater kerb masses and, therefore, lower payloads due to the increased amount of standard equipment. Any additional options specified on the vehicle will reduce the payload accordingly. **GTM** = Gross train mass. The total permissible all-up weight of a rigid vehicle (see GVM) together with its trailer and load. For customers intending to load vehicles close to the maximum payload, we suggest you also add a margin for error of 5% of Kerb Mass to the Kerb Mass figure before calculation, to reduce the risk of overloading.

Weights and Loads

	Single Cab Chassis (2/3 Seats)					Double Cab Chassis (6/7 Seats)					
	Max gross payload (excluding driver) (kg)	Gross vehicle mass (kg)	Min kerb mass (excluding driver) (kg)	Front axle plated mass (kg)	Rear axle plated mass (kg)	Max gross payload (excluding driver) (kg)	Gross vehicle mass (kg)	Min kerb mass (excluding driver) (kg)	Front axle plated mass (kg)	Rear axle plated mass (kg)	
FWD											
350 L2	1749	3500	1751	1750	2150	350 L3	1567	3500	1933	1750	2250
350 L2 Automatic	1696	3500	1804	1750	2150	RWD					
350 L3	1729	3500	1771	1750	2250	350 L3 (SRW)	1464	3500	2036	1850	2250
350 L3 Automatic	1697	3500	1803	1750	2250	350 L3 (DRW)	1322	3500	2178	1850	2450
350 L4	1712	3500	1788	1750	2250	350 L4 (SRW)	1447	3500	2053	1850	2250
350 L4 Automatic	1680	3500	1820	1750	2250	350 L4 (DRW)	1305	3500	2195	1850	2450
RWD											
310 L1 (SRW)	1308	3140	1832	1550	1725	350 L5 (SRW)	1391	3500	2109	1850	2250
350 L2 (SRW)	1649	3500	1851	1850	2150	350 L5 (DRW)	1249	3500	2251	1850	2450
350 L2 (DRW)	1507	3500	1993	1850	2450	470 L3 (DRW)	2522	4700	2178	1850	3300
350 L3 (SRW)	1626	3500	1874	1850	2250	470 L4 (DRW)	2505	4700	2195	1850	3300
350 L3 (DRW)	1484	3500	2016	1850	2450	470 L5 (DRW)	2449	4700	2251	1850	3300
350 L4 (SRW)	1609	3500	1891	1850	2250	AWD					
350 L4 (DRW)	1467	3500	2033	1850	2450	350 L3	1381	3500	2119	1850	2250
350 L4 HD	1305	3500	2195	1850	2450	FWD = Front-wheel drive, RWD = Rear-wheel drive, AWD = All-wheel drive, L1 = Short wheelbase, L2 = Medium wheelbase, L3 = Long wheelbase, L4 = Long wheelbase extended length, L5 = Extra-long wheelbase, SRW = Single rear wheels, DRW = Dual rear wheels. Figures apply to Stage 6 LDTHIII Chassis Cabs without Auto-Start-Stop unless otherwise stated. *Kerb mass is affected by many factors such as bodystyles, engines and options. It is the weight of a standard-specification base vehicle (different series will have different kerb masses), including fluids and fuel tank 90% full, but without the driver (75 kg), crew or cargo. Payload within this guide is the difference between gross vehicle mass (GVM) and kerb mass with a further 75 kg deduction for the weight of the driver. It must be noted that actual weight will always be subject to manufacturing tolerances which may result in payload variations between this guide and actual weight. For customers intending to load vehicle close to maximum payload, we suggest you also add a margin for error of 5% of Kerb Mass to the Kerb Mass figure before calculation, to reduce risk of overloading. NB: It is the responsibility of the vehicle operator to ensure their vehicles are legally compliant for road use. For Rear Float option vehicles, kerb mass is increased and payload reduced					
350 L5 (SRW)	1563	3500	1937	1850	2250						
350 L5 (DRW)	1421	3500	2079	1850	2450						
470 L2 (DRW)	2707	4700	1993	1850	3300						
470 L3 (DRW)	2684	4700	2016	1850	3300						
470 L4 (DRW)	2667	4700	2033	1850	3300						
470 L5 (DRW)	2621	4700	2079	1850	3300						
AWD											
350 L2 (SRW)	1566	3500	1934	1850	2150						
350 L3 (SRW)	1543	3500	1957	1850	2250						

One Stop Shop - Weights/Loads and Dimensions

	Rear axle ratio	Luton Van							
		350 L3 RWD SRW	350 L3 RWD DRW	350 L3 FWD	350 L3 FWD Auto	350 L4 RWD SRW	350 L4 RWD DRW	350 L4 FWD	350 L4 FWD Auto
Body Length in mm (External)		3600	3600	3600	3600	4200	4200	4200	4200
Body Length in mm (Internal)		3490	3490	3490	3490	4090	4090	4090	4090
Body Width in mm (External)		2100	2200	2100	2100	2100	2200	2100	2100
Body Width in mm (Internal)		2030	2130	2030	2030	2030	2130	2030	2030
Body Height in mm (Floor to Roof) (Internal)		2200	2200	2200	2200	2200	2200	2200	2200
Plated weights (kg)									
Front Axle Mass		1850	1850	1750	1750	1850	1850	1750	1750
Rear Axle Mass		2250	2250	2250	2250	2250	2250	2250	2250
GVM		3500	3500	3500	3500	3500	3500	3500	3500
GTM									
2.0 TDCi Ford EcoBlue 130 PS	3.15	5500	5500	-	-	5500	5500	-	-
2.0 TDCi Ford EcoBlue 130 PS	3.55	6000	6000	-	-	6000	6000	-	-
2.0 TDCi Ford EcoBlue 130 PS	4.43	-	-	5050	-	-	-	5050	-
2.0 TDCi Ford EcoBlue 130 PS	4.71	-	-	5500	-	-	-	5500	-
2.0 TDCi Ford EcoBlue 130 PS	3.65	-	-	-	4250	-	-	-	4250
2.0 TDCi Ford EcoBlue 170 PS	4.93	-	-	6000	-	-	-	6000	-
2.0 TDCi Ford EcoBlue 170 PS	3.15	5500	5500	-	-	5500	5500	-	-
2.0 TDCi Ford EcoBlue 170 PS	3.55	6300	6300	-	-	6300	6300	-	-
Gross Payload kg		955	860	1063	913	815	720	956	878
Cubic Capacity m³		16.5	17.3	16.5	16.5	19.2	20.1	19.2	19.2

Note: All engines are Stage VI and include Selective Catalytic Reduction system (AdBlue®). ⁰⁰The illustrated axle ratio shown is the one available dependent upon model, payload and engine combination. ⁰**Gross Payload** = Gross vehicle mass, less kerb mass. **GVM** = Gross vehicle mass. The total permissible all-up weight of a rigid vehicle – i.e. with body, payload, ancillaries, fuel, oil, water, driver and crew. ***Kerb mass** = The weight of the complete vehicle and all equipment including fuel and water, but without payload, driver or any crew. All kerb masses quoted are subject to manufacturing tolerances and are for Base models with minimum equipment unless stated otherwise. Higher specification models will have greater kerb masses and, therefore, lower payloads due to the increased amount of standard equipment. Any additional options specified on the vehicle will reduce the payload accordingly. **GTM** = Gross train mass. The total permissible all-up weight of a rigid vehicle (see GVM) together with its trailer and load. For customers intending to load vehicles close to the maximum payload, we suggest you also add a margin for error of 5% of Kerb Mass to the Kerb Mass figure before calculation, to reduce the risk of overloading.

One Stop Shop - Weights/Loads and Dimensions

	Rear axle ratio	SCC 1-Way Tipper		SCC 3-Way Tipper		DCC 1-Way Tipper		DCC 3-Way Tipper					
		350 L2 RWD	350 L2 FWD	470 L2 RWD (DRW)	350 L2 RWD	350 L2 FWD	470 L2 RWD (DRW)	350 L3 RWD (SRW)	350 L3 FWD	470 L3 RWD (DRW)	350 L3 RWD (SRW)	350 L3 FWD	470 L3 RWD (DRW)
Tipper Dimensions													
Body Length in mm (external)		3340	3340	3280	3280	3280	3280	2973	2973	2825	2825	2825	2825
Body Length in mm (internal)		3202	3202	3200	3200	3200	3200	2835	2835	2750	2750	2750	2750
Body Width in mm (external)		2100	2100	2200	2100	2100	2100	2100	2100	2200	2100	2100	2200
Body Width in mm (internal)		2040	2040	2140	2040	2040	2140	2040	2040	2140	2040	2040	2140
Plated weights (kg)													
Front Axle Mass		1850	1750	1850	1850	1750	1850	1850	1750	1850	1850	1750	1850
Rear Axle Mass		2250	2250	3300	2250	2250	3300	2250	2250	3300	2250	2250	3300
GVM		3500	3500	4700	3500	3500	4700	3500	3500	4700	3500	3500	4700
GTM													
2.0 TDCi Ford EcoBlue 105 PS	3.31	5000	-	-	5000	-	-	5500	-	-	5500	-	-
2.0 TDCi Ford EcoBlue 130 PS	3.15	5000	-	-	5000	-	-	5500	-	-	5500	-	-
2.0 TDCi Ford EcoBlue 130 PS	3.55	6000	-	-	6000	-	-	6000	-	-	6000	-	-
2.0 TDCi Ford EcoBlue 130 PS	4.71	-	5050	-	-	5050	-	-	5500	-	-	5500	-
2.0 TDCi Ford EcoBlue 130 PS	4.10	-	-	6000	-	-	6000	6000	-	-	6000	-	-
2.0 TDCi Ford EcoBlue 170 PS	3.15	5500	-	-	5500	-	-	5500	-	-	5500	-	-
2.0 TDCi Ford EcoBlue 170 PS	3.55	6300	-	-	6300	-	-	6300	-	-	6300	-	-
2.0 TDCi Ford EcoBlue 170 PS	4.71	?	?	?	?	?	?	-	5500	-	-	5500	-
2.0 TDCi Ford EcoBlue 170 PS	4.93	-	-	-	-	-	-	-	6000	-	-	6000	-
2.0 TDCi Ford EcoBlue 170 PS	4.10	-	-	7000	-	-	7000	-	-	7000	-	-	7000
Gross Payload in kg													
105 PS – with Single Rear Wheel* (RWD)		1157	1237		1039	1139		981	-	-	818	-	-
130 PS – with Single Rear Wheel* (FWD)		1157	1257	2082	1039	1139	2057	-	1084	-	-	921	-
130 PS – with Single Rear Wheel* (RWD)		?	?	?	?	?	?	981	-	-	818	-	-
170 PS – with Single Rear Wheel* (RWD)		1157		2082	1039		2057	981	-	-	818	-	-
170 PS – with Single Rear Wheel* (FWD)		?	?	?	?	?	?	-	1084	-	-	921	-
170 PS – with Dual Rear Wheel*		?	?	?	?	?	?	-	-	1917	-	-	1892

Note: All engines are Stage VI and include Selective Catalytic Reduction system (AdBlue®). ⁰⁰The illustrated axle ratio shown is the one available dependent upon model, payload and engine combination. ⁰**Gross Payload** = Gross vehicle mass, less kerb mass. **GVM** = Gross vehicle mass. The total permissible all-up weight of a rigid vehicle – i.e. with body, payload, ancillaries, fuel, oil, water, driver and crew. ***Kerb mass** = The weight of the complete vehicle and all equipment including fuel and water, but without payload, driver or any crew. All kerb masses quoted are subject to manufacturing tolerances and are for Base models with minimum equipment unless stated otherwise. Higher specification models will have greater kerb masses and, therefore, lower payloads due to the increased amount of standard equipment. Any additional options specified on the vehicle will reduce the payload accordingly. **GTM** = Gross train mass. The total permissible all-up weight of a rigid vehicle (see GVM) together with its trailer and load. For customers intending to load vehicles close to the maximum payload, we suggest you also add a margin for error of 5% of Kerb Mass to the Kerb Mass figure before calculation, to reduce the risk of overloading.

Engineered for maximum traction

Braking system and all-wheel drive

Whatever the working environment, Transit makes driver and passenger protection its top priority. Standard safety features include ABS with Emergency Brake Assist (EBA) to help reduce emergency stopping distances. Larger brake pads and discs last longer and are more resistant to brake fade, while wear sensors indicate when pads are due for replacement. For more challenging conditions, Transit is available with all-wheel drive (AWD)*. This latest system automatically directs more drive to the front axle for optimum traction, and can also operate pre-emptively to help avoid wheel slip by monitoring the driver's actions.

*All-wheel drive is available on L2 and L3 350 series.



The drive for cleaner air

Driving with AdBlue®

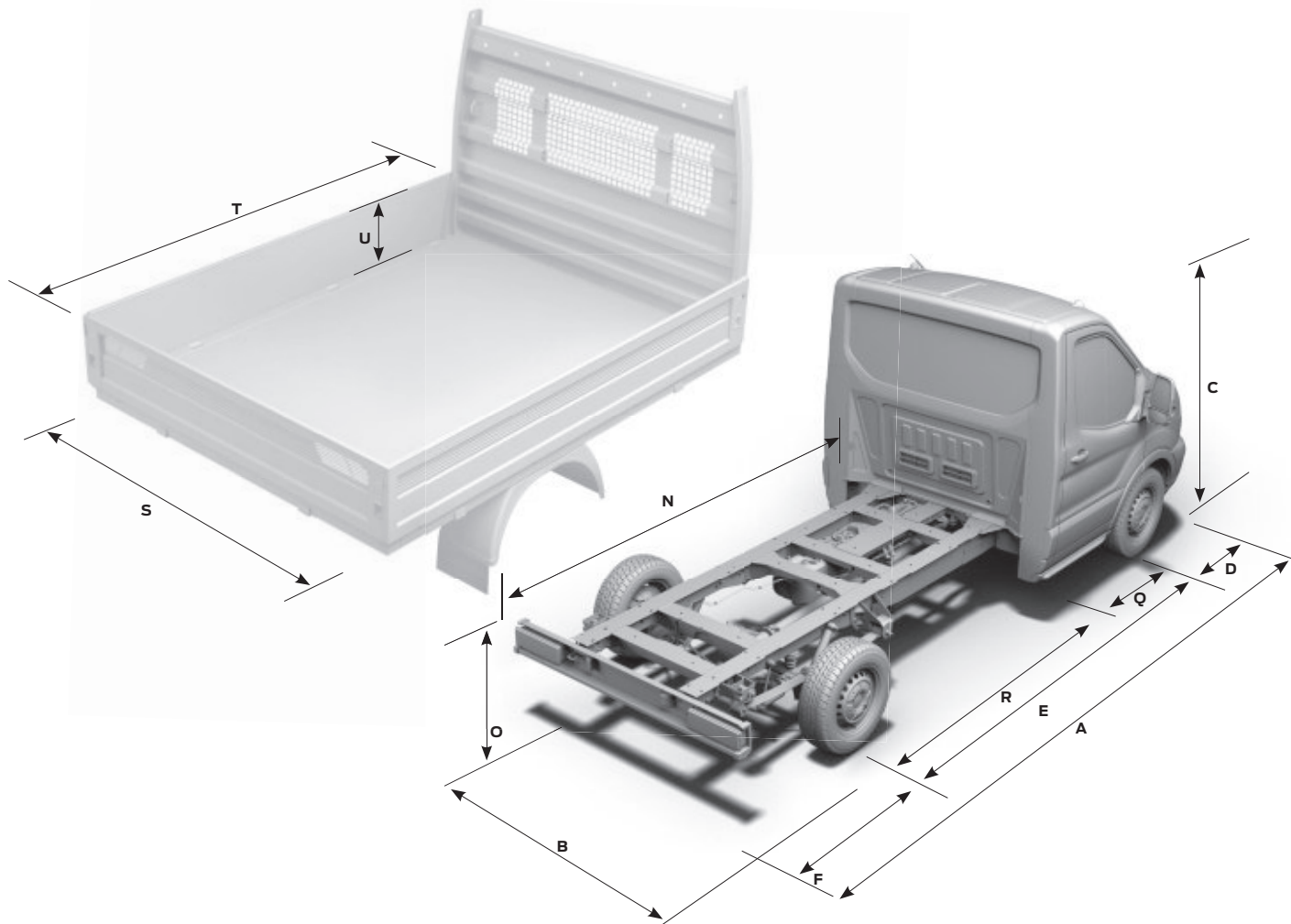
To operate correctly, the AdBlue® tank of your Ford Transit EcoBlue diesel engine must be filled with AdBlue® fluid. System warnings illuminate when fluid level becomes too low. For more information, please discuss with your Ford Dealer.



Dimensions – Single Cab

	L1 Chassis – Single Cab		L2 Chassis – Single Cab		L3 Chassis – Single Cab		L4 Chassis – Single Cab		L5 Chassis – Single Cab
	RWD	FWD	RWD/AWD	FWD	RWD/AWD	FWD	RWD	RWD	
A Overall length	5205	5572	5572	6022	6022	6579	6579	7577	
B Overall width with mirrors (standard/wide)	2474/2746	2474/2746	2474/2746	2474/2746	2474/2746	2474/2746	2474/2746	2474	
Overall width with folded back mirrors (standard/wide)	2112/2119	2112/2119	2112/2119	2112/2119	2112/2119	2112/2119	2112/2119	2112	
Overall width without mirrors (SRW/DRW)	2052/2111	2052/na	2052/2111	2052/na	2052/2111	2052/na	2052/2111	2066	
C Overall height (maximum)	2215	2194	2210	2186	2202	2186	2214	2206	
D Front of vehicle to front wheel centre	1023	1023	1023	1023	1023	1023	1023	1023	
E Wheelbase	3137	3504	3504	3954	3954	3954	3954	4522	
F Rear of vehicle to rear wheel centre	1045	1045	1045	1045	1045	1602	1602	2032	
N Chassis frame length	2775	3142	3142	3592	3592	4149	4149	5147	
O Chassis frame height (rear)*	714-742	737-745	722-740	731-732	736-738	742	740-752	747-760	
Q Rear of cab to front wheel centre	1407	1407	1407	1407	1407	1407	1407	1407	
R Rear of cab to rear wheel centre	1730	2097	2097	2547	2547	2547	2547	3115	
Premium Dropside Dimensions									
S External body width/Internal body width	2200/2138	2200/2138	2200/2138	2200/2138	2200/2138	2200/2138	2200/2138	2200/2138	
T External body length/Internal body length	2932/2850	3300/3220	3300/3220	3760/3680	3760/3680	4310/4230	4310/4230	5303/5223	
U Board height	400	400	400/400	400	400/400	400	400	400	
Standard Dropside dimensions (mm)**									
Overall length (including float)	-	5767	-	-	-	-	-	-	
Overall width (including float) without mirrors (SRW/DRW)	-	2098/na	-	-	-	-	-	-	
Internal loadspace width (SRW/DRW)	-	2038/na	-	-	-	-	-	-	
Internal loadspace length	-	3205	-	-	-	-	-	-	
Turning circle (m)									
Kerb to kerb	11.4	12.6	12.6	14.0	14.0	14.0	14.0	15.8	

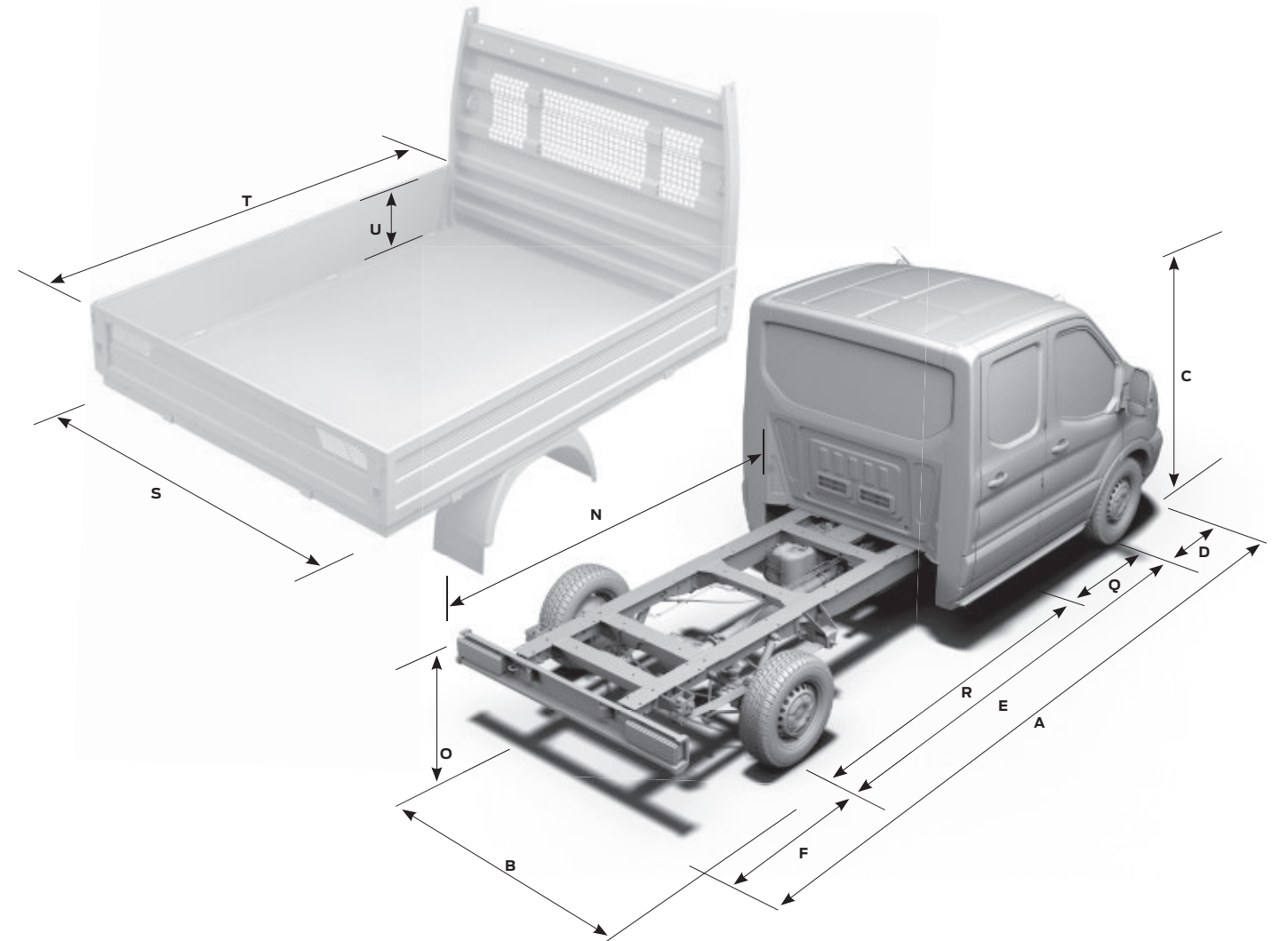
L1 = Short wheelbase, L2 = Medium wheelbase, L3 = Long wheelbase, L4 = Long wheelbase extended length, L5 = Extra long wheelbase extended length. FWD = Front-wheel drive, RWD = Rear-wheel drive, SRW = Single rear wheels, DRW = Dual rear wheels. All dimensions (shown in mm) are subject to manufacturing tolerances and refer to minimum specification models and do not include additional equipment. *Height dimensions show the range from minimum to maximum of a fully laden, lowest payload vehicle to unladen highest payload vehicle. These illustrations are for guidance only. **Note: These dimensions are subject to manufacturing tolerances of +/- 50 mm and were correct at the time of going to print. All bodywork and equipment must be fitted in accordance with the Transit Body and Equipment Mounting Manual.



Dimensions – Double Cab

	L3 Chassis – Double Cab		L4 Chassis – Double Cab	L5 Chassis – Double Cab
	FWD/RWD/AWD	RWD	RWD	RWD
A Overall length	6022	6404	7394	
B Overall width with mirrors (standard/wide)	2474/2746	2474/2746	2474/2746	
Overall width with folded back mirrors (standard/wide)	2112/2119	2112/2119	2112/2119	
Overall width without mirrors (SRW/DRW)	2066/2111	2066/2111	2066/2111	
C Overall height (maximum)	2218	2220	2211	
D Front of vehicle to front wheel centre	1023	1023	1023	
E Wheelbase	3954	3954	4522	
F Rear of vehicle to rear wheel centre	1045	1427	1849	
N Chassis frame length	2777	3159	4149	
O Chassis frame height*	715-735	717-734	722-742	
Q Rear of cab to front wheel centre	2222	2222	2222	
R Rear of cab to rear wheel centre	1732	1732	2300	
Premium Dropside Dimensions				
S External body width/Internal body width	2200/2138	2200/2138	2200/2138	
T External body length/Internal body length	2932/2850	3300/3220	4310/4230	
U Board height	400	400	400	
Turning circle (m)				
Kerb to kerb	14.0	14.0	15.8	

L3 = Long wheelbase, L4 = Long wheelbase extended length, L5 = Extra long wheelbase extended length. FWD = Front-wheel drive, RWD = Rear-wheel drive, SRW = Single rear wheels, DRW = Dual rear wheels. All dimensions (shown in mm) are subject to manufacturing tolerances and refer to minimum specification models and do not include additional equipment. *Height dimensions show the range from minimum to maximum of a fully laden, lowest payload vehicle to unladen highest payload vehicle. These illustrations are for guidance only. **Note: These dimensions are subject to manufacturing tolerances of +/- 50 mm and were correct at the time of going to print. All bodywork and equipment must be fitted in accordance with the Transit Body and Equipment Mounting Manual.



Fuel, Economy and Emissions

The fuel economy figures quoted in the table below are achieved by following strict EU governed test procedures and are specifically designed to enable customers to compare vehicles from all manufacturers on a like-for-like basis. Fuel consumption is directly affected by the length of the journey; number of passengers and amount of luggage carried; individual driving style; road and traffic conditions; weather conditions; vehicle age, mileage, condition and standard of maintenance; use of vehicle features such as air conditioning; and any modifications to the vehicle such as the addition of a roof rack. Your fuel economy will vary based on these and other factors and, for these reasons, many drivers may not achieve the EU fuel economy figures (below) in day-to-day driving, although the vehicle is technically capable of doing so.

	Axle ratio ⁹⁰	CO ₂ emissions (g/km) ⁹⁰	Fuel consumption in L/100 km ⁹⁰			Fuel consumption in mpg ⁹⁰		
			Urban	Extra Urban	Combined	Urban	Extra Urban	Combined
Single Cab Chassis FWD								
2.0 TDCi Ford EcoBlue 105 PS (77 kW)/130 PS (96 kW) / 170 PS (125kW)	4.71	179-182	7.3-7.6	6.7-6.8	6.9-7.0	38.7-37.2	42.2-41.5	40.9-40.4
2.0 TDCi Ford EcoBlue 130 PS (96 kW)	4.43	176-182	7.1-7.6	6.6-6.8	6.8-7.0	39.8-37.2	42.8-41.5	41.5-40.4
2.0 TDCi Ford EcoBlue 130 PS (96 kW)/170 PS (125kW) (Automatic)	3.65	189-192	7.7-7.8	6.9-7.0	7.3-7.4	36.7-36.2	40.9-40.4	38.7-38.2
2.0 TDCi Ford EcoBlue 170 PS (125 kW)	4.93	185-189	7.9-8.0	6.8-6.9	7.1-7.3	35.8-35.3	41.5-40.9	39.8-38.7
RWD								
2.0 TDCi Ford EcoBlue 105 PS (77 kW)	3.31	186-189	8.1-8.3	6.6-6.8	7.2-7.3	34.9-34.0	42.8-41.5	39.2-38.7
2.0 TDCi Ford EcoBlue 130 PS (96 kW)/170 PS (125 kW)	3.15	185	8.0	6.6	7.1	35.3	42.8	39.8
2.0 TDCi Ford EcoBlue 130 PS (96 kW)/170 PS (125 kW)	3.55	196	8.6	6.9	7.6	32.8	40.9	37.2
2.0 TDCi Ford EcoBlue 130 PS (96 kW)/170 PS (125 kW)	4.10	210-212	9.1	7.4-7.5	8.1-8.2	31.0	38.2-37.7	34.9-34.5
AWD								
2.0 TDCi Ford EcoBlue 130 PS (96 kW)	4.10	224	10.1	7.7	8.6	28	36.7	32.8
Double Cab Chassis FWD								
2.0 TDCi Ford EcoBlue 130 PS (96 kW)	4.71	182	7.6	6.8	7.0	37.2	41.5	40.4
2.0 TDCi Ford EcoBlue 170 PS (125 kW)	4.93	189	8.0	6.9	7.3	35.3	40.9	38.7
RWD								
2.0 TDCi Ford EcoBlue 105 PS (77 kW)	3.31	189-191	8.3	6.8-6.9	7.3-7.4	34.0	41.5-40.9	38.7-38.2
2.0 TDCi Ford EcoBlue 130 PS (96 kW)/170 PS (125 kW)	3.15	187	8.0	6.7	7.2	35.3	42.2	39.2
2.0 TDCi Ford EcoBlue 130 PS (96 kW)/170 PS (125 kW)	3.55	198	8.6	7.0	7.6	32.8	40.4	37.2
2.0 TDCi Ford EcoBlue 130 PS (96 kW)/170 PS (125 kW)	4.10	210-212	9.1	7.4-7.5	8.1-8.2	31.0	38.2-37.7	34.9-34.5
AWD								
2.0 TDCi Ford EcoBlue 130 PS (96 kW)	4.10	226	10.2	7.8	8.7	27.7	36.2	32.5

Note: All Stage 6 EcoBlue figures include Diesel Particulate Filter (cDPF) and Auto-Start-Stop. Auto-Start-Stop system reduces CO₂ emissions and fuel consumption by 6 g/km and between 0.2 and 0.4 L/100km. The used reference mass includes a 'Default Added Mass' (DAM). This regulation method adds an assumed mass to the kerb mass which can exceed reference mass for given engine type, hence not measurable under regulations, represented here as n/a.⁹⁰The illustrated axle ratio shown is the one available dependent upon model, GVM payload and engine combination.⁹⁰The declared fuel consumptions and CO₂ emissions for Stage VI HDT engines are measured according to the technical requirements and specifications of the European Directive 80/1268/EEC and ECE R101.01. The declared fuel consumption and CO₂ emissions for Stage 6 LDTIII engines are measured according to the technical requirements and specifications of European Regulation (EC) 715/2007 and latest amendment. Fuel consumption and CO₂ emissions are specified for a vehicle variant and not for a single car. The applied standard test procedure enables a comparison between different vehicle types; the specification and options selected may have an effect i.e. on vehicle weight and therefore on the emissions and fuel economy of the vehicle and also may influence the figures that appear in the individual vehicle documentation. This information is not part of any product offer made. Real world fuel consumption can vary as the fuel efficiency of a vehicle is influenced by (individual) vehicle configurations, driving behaviour, use of technical equipment such as air conditioning, as well as other non-technical factors.

Engine undershield

Tough corrosion-resistant metal undershield protects engine from accidental stone and kerb damage. Easily removed for oil changes and routine servicing. (Option and accessory)

Max. Braked Trailer Plate (kg)(a)

	Axle ratio ⁹⁰	310 SCC	350 SCC	470 SCC	350 DCC	470 DCC
Single/Double Cab Chassis (with float) FWD						
2.0 TDCi Ford EcoBlue 105 PS (77 kW) L2/L3	4.71	●	-	2800/2750	-	-
2.0 TDCi Ford EcoBlue 130 PS (96 kW) L2/L3/L4	4.43	●	-	2800/2700/2650	-	-
2.0 TDCi Ford EcoBlue 130 PS (96 kW)	4.71	○	-	2800	-	-
2.0 TDCi Ford EcoBlue 130 PS (96 kW) with automatic transmission L2/L3/L4	3.65	●	-	1900/1850/1800	-	-
2.0 TDCi Ford EcoBlue 170 PS (125 kW)	4.71	●	-	2800	-	2800
2.0 TDCi Ford EcoBlue 170 PS (125 kW)	4.93	○	-	2800	-	2800
RWD						
2.0 TDCi Ford EcoBlue 105 PS (77 kW)	3.31	●	2800	2800	-	2800
2.0 TDCi Ford EcoBlue 105 PS (77 kW)	3.73	○	-	2800	-	2800
2.0 TDCi Ford EcoBlue 130 PS (96 kW) L3/L4/L5	3.15	●	-	2800/2800/2700	-	2800/2750/2600
2.0 TDCi Ford EcoBlue 130 PS (96 kW)	3.55	○	-	2800	-	2800
2.0 TDCi Ford EcoBlue 130 PS (96 kW)	4.10	●	-	-	2300	-
2.0 TDCi Ford EcoBlue 130 PS (96 kW)	4.10	●	-	-	-	2300
2.0 TDCi Ford EcoBlue 170 PS (125 kW) L3/L4/L5	3.15	●	-	2800/2800/2800	-	2800/2750/2600
2.0 TDCi Ford EcoBlue 170 PS (125 kW)	3.55	○	-	2800	-	2800
2.0 TDCi Ford EcoBlue 170 PS (125 kW)	4.10	●	-	-	3500	3500
AWD						
2.0 TDCi Ford EcoBlue 130 PS (96 kW)	4.10	●	-	2800	-	2800
Single/Double Cab Chassis (without float) FWD						
2.0 TDCi Ford EcoBlue 105 PS (77 kW) L2/L3	4.71	●	-	2800/2750	-	-
2.0 TDCi Ford EcoBlue 130 PS (96 kW) L2/L3/L4	4.43	○	-	2750/2700/2650	-	-
2.0 TDCi Ford EcoBlue 130 PS (96 kW)	4.71	●	-	2800	-	-
2.0 TDCi Ford EcoBlue 130 PS (96 kW) with automatic transmission L2/L3/L4	3.65	●	-	1900/1850/1800	-	-
2.0 TDCi Ford EcoBlue 170 PS (125 kW)	4.71	●	-	2800	-	2800
2.0 TDCi Ford EcoBlue 170 PS (125 kW)	4.93	○	-	2800	-	2800
RWD						
2.0 TDCi Ford EcoBlue 105 PS (77 kW)	3.31	●	2800	2800	-	2800
2.0 TDCi Ford EcoBlue 105 PS (77 kW)	3.73	○	-	2800	-	2800
2.0 TDCi Ford EcoBlue 130 PS (96 kW) L3/L4/L5	3.15	●	-	2800/2800/2700	-	2800/2750/2600
2.0 TDCi Ford EcoBlue 130 PS (96 kW)	3.55	○	-	2800	-	2800
2.0 TDCi Ford EcoBlue 130 PS (96 kW)	4.10	●	-	-	2300	-
2.0 TDCi Ford EcoBlue 130 PS (96 kW)	4.10	●	-	-	-	2300
2.0 TDCi Ford EcoBlue 170 PS (125 kW) L3/L4/L5	3.15	●	-	2800/2800/2800	-	2800/2750/2600
2.0 TDCi Ford EcoBlue 170 PS (125 kW)	3.55	○	-	2800	-	2800
2.0 TDCi Ford EcoBlue 170 PS (125 kW)	4.10	●	-	3500 (L4 HD)	3500	3500
AWD						
2.0 TDCi Ford EcoBlue 130 PS (96 kW)	4.10	●	-	2800	-	2800

● = Standard, ○ = Option, at extra cost. Note: All engines are Stage 6 LDTIII unless stated otherwise and include Diesel Particulate Filter (cDPF).⁹⁰The illustrated axle ratio shown is the one available dependent upon model, GVM payload and engine combination. (a) Max braked trailer mass is dependent on chosen engine power and dependent on the additional options/equipment selected. Consult your Dealer for more information. **** Max trailer weight will need to be reduced if maximum payload is to be achieved so as not to exceed maximum GTM.**

A smooth driving experience

SelectShift automatic transmission

For greater comfort and convenience in urban driving, Transit front-wheel drive derivatives can be specified with a six-speed SelectShift automatic transmission. Offering smooth, responsive and efficient performance, the transmission also provides the option of manual shifting using buttons on the gear lever. (Option on front-wheel drive models)



Maximum GTM with quoted axle ratio

Single/Double Cab Chassis	Axle ratio ^a		310 SCC	350 SCC	470 SCC	350 DCC	470 DCC
FWD							
2.0 TDCi Ford EcoBlue 105 PS (77 kW)	4.71	●	-	5100	-	-	-
2.0 TDCi Ford EcoBlue 130 PS (96 kW)	4.43	○	-	5050	-	-	-
2.0 TDCi Ford EcoBlue 130 PS (96 kW)	4.71	●	-	5500	-	5500	-
2.0 TDCi Ford EcoBlue 130 PS (96 kW) with automatic transmission	3.65	●	-	4250	-	-	-
2.0 TDCi Ford EcoBlue 170 PS (125 kW)	4.71	●	-	5500	-	5500	-
2.0 TDCi Ford EcoBlue 170 PS (125 kW)	4.93	○	-	6000	-	6000	-
RWD							
2.0 TDCi Ford EcoBlue 105 PS (77 kW)	3.31	●	5100	5500	-	5500	-
2.0 TDCi Ford EcoBlue 105 PS (77kW)	3.73	○	-	5500	-	5500	-
2.0 TDCi Ford EcoBlue 130 PS (96 kW)	3.15	●	-	5500	-	5500	-
2.0 TDCi Ford EcoBlue 130 PS (96 kW)	3.55	●	-	6000	-	6000	-
2.0 TDCi Ford EcoBlue 130 PS (96 kW)	4.10	●	-	-	6000	-	-
2.0 TDCi Ford EcoBlue 170 PS (125 kW)	3.15	●	-	5500	-	5500	-
2.0 TDCi Ford EcoBlue 170 PS (125 kW)	3.55	○	-	6300	-	6300	-
2.0 TDCi Ford EcoBlue 170 PS (125 kW)	4.10	●	-	7000(L4 HD)	7000	-	7000
AWD							
2.0 TDCi Ford EcoBlue 130 PS (96 kW)	4.10	●	-	6000	-	6000	-

● = Standard, ○ = Option, at extra cost. Note: All engines are Stage 6 LDTIII unless stated otherwise and include Diesel Particulate Filter (cDPF). ^aThe illustrated axle ratio shown is the one available dependent upon model, GVM payload and engine combination. *GTM is limited to 5500 kg if fitted with rear air conditioning. Consult your Dealer for more information.

Model availability – Single Cab

	310 L1	350 L2	350 L3	350 L4	350 L4 HD	350 L5	470 L2	470 L3	470 L4	470 L5
FWD										
2.0 TDCi Ford EcoBlue 105 PS (77 kW)	-	●	-	-	-	-	-	-	-	-
2.0 TDCi Ford EcoBlue 130 PS (96 kW)	-	●	●	●	-	-	-	-	-	-
2.0 TDCi Ford EcoBlue 130 PS (96 kW) 6-speed automatic	-	●	●	●	-	-	-	-	-	-
2.0 TDCi Ford EcoBlue 170 PS (125 kW)	-	-	●	●	-	-	-	-	-	-
RWD										
2.0 TDCi Ford EcoBlue 105 PS (77 kW)	●	●	●	●	-	-	-	-	-	-
2.0 TDCi Ford EcoBlue 130 PS (96 kW)	-	●	●	●	-	●	●	●	-	-
2.0 TDCi Ford EcoBlue 170 PS (125 kW)	-	●	●	●	●	●	●	●	●	●
AWD										
2.0 TDCi Ford EcoBlue 130 PS (96 kW)	-	●	●	-	-	-	-	-	-	-

Note: ● = Available, - = Not available. **FWD** = Front-wheel drive, **RWD** = Rear-wheel drive, **AWD** = All-wheel drive, **L1** = Short wheelbase, **L2** = Medium wheelbase, **L3** = Long wheelbase, **L4** = Long wheelbase with extended frame, **L5** = Extra long wheelbase with extended frame. All engines are Stage 6 LDTIII unless stated otherwise.

Model availability – Double Cab

	350 L3	350 L4	350 L5	470 L3	470 L4	470 L5
FWD						
2.0 TDCi Ford EcoBlue 130 PS (96kW)	●	-	-	-	-	-
2.0 TDCi Ford EcoBlue 170 PS (125 kW)	●	-	-	-	-	-
RWD						
2.0 TDCi Ford EcoBlue 105 PS (77 kW)	●	-	-	-	-	-
2.0 TDCi Ford EcoBlue 130 PS (96 kW)	●	●	●	-	-	-
2.0 TDCi Ford EcoBlue 170 PS (125 kW)	●	●	●	●	●	●
AWD						
2.0 TDCi Ford EcoBlue 130 PS (96 kW)	●	-	-	-	-	-

Note: ● = Available, - = Not available. **FWD** = Front-wheel drive, **RWD** = Rear-wheel drive, **AWD** = All-wheel drive, **L3** = Long wheelbase, **L4** = Long wheelbase with extended frame, **L5** = Extra long wheelbase with extended frame. All engines are Stage 6 LDTIII unless stated otherwise.

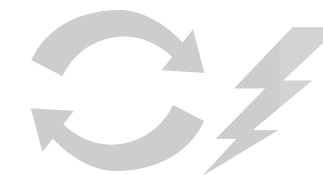
1 and 3-way tipper

Chassis	Tipper 1-way	Tipper 3-way
Tyres – 195/75 R16C 107/105 (DRW)	●	●
Suspension – Front: Coil spring MacPherson strut, anti-roll bar	●	●
Suspension – Rear: Taper leaf + helper, anti-roll bar	●	●
Seating (Single Cab) – Driver's seat and dual passenger seat, lap and diagonal seat belts to all seats	●	●
Tow Bar (RPO), 50mm ball hitch, 13 pin socket (Includes tailboard protection plate)	○	○
2xAGM Batteries – High Performance Deep Cycle Battery 800 CCA (80Ah @ 20 hour rate) Size H7	●	●
Auxiliary Fuse Box with 2x (60A) customer connection points	○	○
150 Amp Alternator	●	●
Body		
Type – 1-way Tipper, manual release; top and bottom hinged tailboard, bottom hinged sideboards	●	-
Type – 3-way Tipper, manual release; top and bottom hinged tailboard, bottom hinged sideboards	-	●
Hydraulic Ram – Multi stage, Centre mounted – 5 stage, chrome-plated cylinders	●	●
Power Pack – 2 kW electro-hydraulic, mounted between subframe. 7lt oil capacity SAE10W-30W (ISO32)	●	●
Tip Angle – 45 degrees	●	-
Tip Angle – Electrically-limited to 45 degrees by limit switch operating on ram	-	●
Electrical System – 12V system, 150A fuse, cab mounted joystick control, isolation switch, emergency stop switch	●	●
Subframe – Hot-dip galvanised Z140 High Strength Steel (powder-coated), 'C' section with cruciform	●	●
Load Bed – Hot-dip galvanised powder-coated 2.5 mm steel, box section crossbearers, roll formed edge to rear aperture	●	●
Headboard – 400kg rated, Hot-dip galvanised Z140 High Strength Steel (powder-coated), removable, full-width, full-height. Perforated behind cab rear window. Rubber-finished top surface (ladder gantry)	●	●
Front and Rear Pillars – Aluminium (powder-coated), replaceable (bolted) with over centre pull-up latches	●	●
Sideboards – Body coloured, double-skin, 1 piece aluminium extrusions, Steel on HD350 & 470	●	●
Tailboard – Top and bottom hinged, double skin, 1 piece aluminium extrusion, Steel on HD350 & 470	●	●
Fenders – Black, flexible thermoplastic c/w Mudflaps, mounted on replaceable bolt-on fender brackets to subframe	●	●
Finish – Load bed, subframe and headboard : Dark grey powder-coat	●	●
Side and tailboards – Body colour	●	●
Side and tailboards – other colours	○	○
Body Lock Down Device	●	●
Load Lashing – 6 floor-mounted pull-up anchors (400 kg each)	●	●
Roping hooks – 14 (7 + 7) side mounted, 4 rear, 2 forward face of headboard	●	●
Body Prop – Integral subframe mounted	●	●
Body Warranty – 3-year, 100,000 miles	●	●
Certification		
CE certified	●	●
EMC certified 2009/19/EC	●	●
TUV Certified 2006/42/EC Machine directive – Safety requirements	●	●

● = Standard, ○ = Option, at extra cost. Drawings are representative and may be subject to change.

Power-foldable mirrors

Electrically-operated and heated with large spotter lens. Perfect for parking in tight spaces or squeezing through narrow lanes. (Option)



Premium Dropside and Standard Dropside

	Standard	Premium
Chassis		
Transmission – RWD: 6-speed	-	●
Rear Axle – 310 LI RWD: Salisbury type 51 single rear wheel	-	●
Rear Axle – All 350 RWD: Dana dual rear wheel	-	●
Tyres – 310 LI RWD: 205/75 R16C 110/118	-	●
Tyres – All 350 models: 185/75 R16C 104/102	-	●
Tyres – All 350 models: 195/75 R16C 107/105 tyres 1850kg front axle only	-	○
Tyres – 235/65 R16C 115/113	●	-
Suspension – Front: Coil spring MacPherson strut, front roll bar	●	●
Suspension – Rear: Taper leaf + helper (RWD), Taper leaf (FWD), rear roll bar – 350 models only	●	●
Seating (Single Cab) – Driver's seat and dual passenger seat, lap and diagonal seat belts to all seats	●	●
Glazing: Laminated windscreen, toughened clear side and rear cab glass	●	●
Twin Batteries 700CCA 20 hour rate size T7: With Start Stop = 75Ah; Without Start Stop = 80Ah	-	●
2xAGM Batteries – High Performance Deep Cycle Battery 95A 850 CCA Size H8	○	○
Auxiliary Fuse Box with additional 2x (60A) customer connection points	○	○
150 Amp Alternator	●	●
ESC/ABS/Hill Start Assist	●	●
Body		
Understructure – Hot dipped galvanised (Z140) Steel and powered coated	-	●
Load Deck – 15 mm phenolic resin-embossed birch plywood, replaceable	-	●
Gantry – 400kg rated, 63.5 mm tubular steel frame with ladder stops, 960hr salt spray compliant	-	●
Headboard – Hot dipped galvanised (Z140) Steel and powered coated, perforated behind cab rear window	-	●
Stirrup Step – Tubular steel side steps with punched foot grip and moulded footwell	-	●
Fold out step, access to bed with sideboards lowered	●	●
Stainless Steel tailboard 90 degree retainers (Note: Standard Dropside does not have corner posts. retainers are in sideboard)	●	●
Cab Protector grab handles and Roping Hooks	-	●
Tie Downs (in bed floor)	●	●
Hardware Geomet Plated	-	●
Rear Pillars – Removable extruded aluminium	-	●
Side and Tailboards – Double-skin, 1 piece aluminium extrusions with integrated rubber bump strip and overcentre lever operated cam latches	-	●
Fenders – Black, flexible thermoplastic c/w Mudflaps, mounted on replaceable bolt-on fender brackets to subframe	-	●
Finish – Gantry/headboard, raves, rear valance panel, stirrup steps : Dark grey powder-coat	-	●
Powder coated side/tailboards/cab in fleet colour	-	●
Side and tailboards – Body colour	-	●
Aluminium side and tail boards – Unpainted	●	-
Spare Wheel (Optional on SRW models)	○	●
Body Warranty – 3-year/100,000 miles	●	●
Perforation Warranty –12 years	●	●

● = Standard, ○ = Option, at extra cost. 350HD, 470 derivatives not available.

***Note:** Use of other loader installations are not recommended and may invalidate warranty.

ClimAir® wind deflectors, transparent

Reduces wind turbulence and noise, allowing you a more enjoyable drive with the front windows down, even during light rain. (Accessory)

Xvision® parking distance control

An audible warning helps you to judge front and rear parking distance. (Accessory)

+Item covered by third party supplier's warranty, please see back cover for details



Quickclear heated windscreen

Clears ice or demists the windscreen quickly, even on frosty mornings. Supplied with heated washer jets for year-round comfort and visibility. (Option)

Luton/Box Van

	FWD	RWD
Chassis		
Tyres – 235/65 R16C 115/113 (SRW)	●	●
Tyres – 195/75 R16C 107/105 (DRW)	●	●
Suspension – Front, coil spring MacPherson strut. Rear, taper leaf + helper. Roll bars front and rear	●	●
Seating – Driver's seat and dual passenger seat, lap and diagonal seat belts to all seats	●	●
2xAGM Batteries – High Performance Deep Cycle Battery	●	●
Auxiliary Fuse Box with additional 2x (60A) customer connection points	○	○
150 Amp Alternator	●	●
Colour – Frozen White	●	●
Body		
Luton Van	●	●
Box Van	●	●
Type – Ply/GRP panel box, shutter door, alu framed with steel rear frame for retro-fit Tail-lift capability	-	●
FWD – Polyester/Foam-core sandwich panel box. Aluminium slat roller shutter, framed with steel rearframe for retro-fit tail-lift capability	●	-
Colour – Frozen white only – Ply/GRP composite panels and aluminium wide-lath rear shutter. Anodised aluminium exterior frame work and steel rear frame in white powder-coat finish	-	●
FWD – Frozen white only – Polyester/Foam Core panels. Deadlock aluminium slat roller shutter with Pull Bar. Rearframe in powder-coated Z140 (galvanised) steel.	●	-
Understructure – Full-length anodised aluminium longitudinals, galvanised steel 'C' section crossbearers	-	●
FWD – Full High Strength Z140 (galvanised) steel with longitudinals and cross bearers in dark grey including Cruciform	●	-
Bodysides – Self-coloured 11mm Ply/GRP composite panels, aluminium reinforcements bonded to interior surface for load retention rails	-	●
FWD – Foam-core sandwich panel bodysides and front bulk head	●	-
Structure – Extruded aluminium frame anodised, with cast aluminium corners	-	●
FWD – Extruded aluminium frame anodised, with cast aluminium corners	●	-
Rear Frame – Powder-coated steel frame incorporating end outline marker lamps, rain channel, anti-slip surface to rear aperture step. 960hr salt spray compliant	-	●
FWD – Rear frame manufactured from Z140 galvanised steel incorporating centrally mounted upper stop lamp, rain channel and anti slip to lower panel	●	-
Roof – Translucent GRP roof panels, crowned aluminium roof sticks, cast aluminium corners	-	●
FWD – Translucent Polyester roof panels with steel crowned roof bows	●	-
Floor – One-piece embossed 15 mm thick phenolic resin full birch plywood	-	●
FWD – One-piece embossed 15 mm thick phenolic resin full birch plywood	●	-
Door – Aluminium Wide slat rear shutter, powder-coated frozen white with lower lip seal. External rubber lip seals to door frame aperture sides, with one internal webbing pull cord	-	●
FWD – Narrow flat roller shutter door, powder coated frozen white. Balloon seal to lower edge. Lip seals to sides. Brush seal to top. Pull cord to left hand side	●	-
Door Lock – Slam shut latch with facility for padlock. Internal emergency door release system with high strength steel load protection panel to lower lath	-	●
FWD – Slam close with key lock. Exterior latching 'Pull Handle Lock Bar' with internal elasticated pull cord for closing. Internal emergency release point.	●	-
Handrail – full height, mounted at the rear near-side	-	●
FWD – Tubular 3/4 height, mounted at the rear near-side	●	-
Lighting – work lamp mounted on top of interior handrail, can be rotated to illuminate interior and exterior	-	●
FWD – Interior PIR, operated and timer lighting. LED work lamp mounted on top of interior handrail, can be rotated to illuminate tail lift	●	-
Rear Step – Full-width steel, powder-coated yellow	-	●
FWD – Full width aluminium Hi Viz Rear Step	●	-
Longitudinal Load Lashing – Interior Load restraint system, 4 horizontal lashing/load-lock rails per bodyside with twin integral rubber strips per rail. Deck level lashing points (6 off 400Kg) for additional security/low centre of gravity loads	-	●
FWD – Three rows of multipoint load lashing	●	-
Load pole – 3x400kg rated telescopic load retention poles	-	●
FWD – 2 x 400kg rated yellow telescopic load retention poles	●	-
Hardware: Zinc plated to 504hr salt spray compliant standards	-	●
FWD – Stainless steel and geomet rated to 504hr salt spray	●	-
Body Warranty – 3-year, 100,000 miles	●	●

● = Standard, ○ = Option, at extra cost. RPO tow bar is not available.

Note: Drawings are representative and may be subject to change. Fittings and equipment subject to change.



Tyre Pressure Monitoring System

Sensors in the valve bodies monitor the tyre pressures and transmit the data wirelessly to an instrument panel display. (Option. Not available with dual rear wheels)

Rubber floor mats

Equipped with the Transit nameplate. All-weather rubberised floor mats are tailor-made to fit your Ford perfectly and protect against dirt and damp. Securely fixes directly onto the vehicle's floor. (Accessory)



Exterior features

	Base		Base
Design features			
Cab – HI (Low Roof)	●	Wheels	●
Fixed rear window	●	Steel – 16"x6½". (Fitted with 215/65 R16C tyres)* (310 and 350 series: 235/65 R16C BSW tyres; 430/470 series: 235/65 R16C 121/119 BSW tyres)	●
Premium aluminium (body colour) droptside float, narrow – Tailboard support straps, and mesh headboard second unit with posts (Single Cab L1 models only)	○	Single Rear Wheel (SRW) ilo of Dual Rear Wheel (DRW) – 3500kg GVM 'bare' single and double chassis & 'SVO OSS' Single and Double Chassis Cab models. (Standard on FWD & AWD) (Not 350HD / 470 series) (SRW ilo DRW - will delete the standard spare wheel)	● / ○
Standard Anodised aluminium side float, wide – Tailboard support straps, mesh headboard second unit and side and rear marker lights without posts (Only available on L2 FWD Single Cab models)	○	Wheel covers – Half caps	●
Premium aluminium (body colour) droptside float, wide – Tailboard support straps, mesh headboard second unit and side and rear marker lights with posts (not available on L1 models)	○	Spare – Full-size steel with tool kit (standard on DRW)	○
Door mirrors – Blind spot eliminator and integrated side indicator	●	Tyre inflator kit (instead of spare wheel) (not available on DRW)	●
Door mirrors – Manual adjust, short arm	●	Convenience features	
Door mirrors – Manual adjust, long arm	○	Headlights – Daytime running lights	●
Door mirrors – Electrically-operated and heated, (short arm/long arm availability)	○	Headlights – Automatic on/off (requires Rain Sensitive Wipers)	□
Door mirrors – Power-foldable, electrically-operated and heated, (short arm only)	○	Headlights – Courtesy delay, 30 seconds duration	●
Bodyside mouldings – Wide, self colour	●	Fog lights – Front	○
Front bumper – Partial body colour	●	Roof marker lights	●
Door handles – Self colour	●	Side marker lights (L4 and L5 models only)	●
Front grille – Sterling Grey	●	Side windows – Second row, fixed (Double Chassis Cab only)	●
Mudflaps – Front	○	Wipers – Front, variable/intermittent with electric wash	●
Metal undershield	○	Wipers – Front, automatic with rain sensor (includes automatic headlights)	□
Tow bar with Trailer Sway Control and 13-pin electrics (tachograph may be required)	○	Option pack	
Paint – Metallic	○	Low Visibility Pack – Includes heated front screen and screen washer level lamp (heated power short arm mirrors are standard - Long arm mirrors can be ordered as an option at additional cost)	○
		High Visibility Pack - Includes power heated and poer fold mirrors, Quickclear windscreen, automatic headlights, rain sensitive wipers and front fog lights	○

● = Standard, ○ = Option, at extra cost □ = Part of an option pack, at extra cost.
*The wheel you choose will be fitted with the tyre size noted, but no choice of tyre brand is available.



Control at your fingertips

Steering wheel-mounted controls

Allows you to operate the audio system and trip computer without taking your hands off the wheel. (Standard with Ford audio systems)



Lidded storage compartment with power point and USB port

Cleverly concealed storage compartment, located above the instrument cluster, features a 12-volt power supply and USB port. (Standard with Ford audio systems)



Bluetooth® Audio Streaming

Stream your music collection from your compatible MP3 player or mobile phone to the vehicle's audio system.

Navigation

3D map shows points of interest on Ford SYNC 3's 6" colour touchscreen. (Option)

Audible SMS

Have your incoming text messages read to you from your connected phone, including commonly-used abbreviations and emoticons, and you can even respond with a choice of 15 preset text messages. Compatible mobile phone required.

Emergency Assistance*

Innovative SYNC feature that uses a Bluetooth®-paired and connected mobile phone to help vehicle occupants initiate a direct call to the local Communications Centre (in more than 40 European countries and regions), following a vehicle crash event involving an airbag deployment or fuel pump shut off. (Option, part of Ford SYNC)

Complete connectivity

Ford SYNC with AppLink* lets you operate most popular MP3 players, Bluetooth®-enabled phones, USB drives and even control the apps on your smartphone with remarkably simple voice commands. Plus, the Emergency Assistance* feature is designed to assist occupants to place an emergency call in the event of an accident in over 40 European countries and regions. (Option)



EURO NCAP advanced
2012 Reward for Ford SYNC with Emergency Assistance

*Compatible and connected mobile phone required. You can browse a list of AppLink-compatible apps from your regional Ford website, or via the **App Catalog** available in iOS and Android stores. SYNC AppLink and Emergency Assistance are not supported by all European languages.

Note The Bluetooth® word mark and logos are owned by the Bluetooth SIG, Inc. and any use of such marks by Ford Motor Company Limited and its associated companies is under licence. Other trademarks and trade names are those of their respective owners.

Interior features

	Base
Design features	
Floor covering – Cab, easy-clean rubber (Single Chassis Cab only)	●
Floor covering – Extended, easy-clean rubber (Double Chassis Cab only)	●
Headlining – Cab, moulded (Single Chassis Cab only)	●
Headlining – Extended, moulded (Double Chassis Cab only)	●
Steering wheel – 4-spoke, polyurethane	●
Steering wheel – 4-spoke, leather-trimmed	□
Rear view mirror	●
Interior lighting	
Courtesy lights – Header-mounted, front with theatre dimming	●
Interior lighting/battery saver – 30 minutes	●
Audio and communication systems	
MyConnection Radio, Bluetooth® with USB/iPod® connectivity port and iPod® functionality, remote audio controls, four front speakers (two woofers and two tweeters) ICE Pack 2	●
Radio/CD, SYNC (includes Emergency Assistance*) with Bluetooth® Voice Control System, AppLink, audible text messaging and privacy mode, 4" TFT display, extended integrated control panel, USB connectivity port with iPod® functionality remote audio controls, four front speakers (two woofers and two tweeters) ICE Pack 8	○
Radio/CD with DAB, SYNC (includes Emergency Assistance*) with Bluetooth®, Voice Control System, AppLink, audible text messaging and privacy mode, 4" TFT display, extended integrated control panel, USB connectivity port with iPod® functionality, remote audio controls, four front speakers (two woofers and two tweeters) ICE Pack 9	○
Radio navigation system, 6.5" TFT Touchscreen display, mini electronic finish integrated control panel (EFP), SYNC 3 with Navigation Center, Voice Control System, Touchscreen, Apple CarPlay, Android Auto, Emergency Assistance*, hands-free calling, GPS, Bluetooth® and Voice Control and audible text messaging, 2x USB, Privacy Mode, remote audio controls and 4 speakers (ICE Pack 15)	○
Instruments and controls	
Trip computer (distance to empty, instant and average fuel consumption, average speed, outside temperature)	●
Water in fuel filter sensor	●
Battery – Cold start (-20°C)	●
Battery – Twin Improved Flooded (IF), Cold start (-29°C)	○
Battery – H8 AGM deep cycle battery (requires twin heavy duty battery layout)	○

	Base
Alternator – Standard duty (150 Amp)	●
Alternator – Extra heavy duty (240 Amp)	○
Auxiliary Connection Point – 3 X 12V, 60A connections located under driver seat pedestal	●
Tachograph – Digital, electronic, 24-hour	○
Shift indicator light	●
Seats	
Driver's seat – 8-way (fore/aft; recline; height; and tilt) with armrest	●
Driver's seat – 10-way (fore/aft; recline; height; tilt; and lumbar) with armrest	○
Front passenger's seat – Single, 4-way (fore/aft; and recline)	○
Front passenger's seat – Single, 4-way heated (fore/aft; and recline)	○
Front passenger's seat – Dual, fixed back with split lift-up seat cushion for stowage, fold out table	●
Front passenger's seat – Dual, heated, fixed back with split lift-up seat cushion for stowage, fold out table	○
Rear seats – Second row; quad seats (2+2) (Double Chassis Cab only)	●
Comfort and convenience	
Air conditioning – Front, including filter-air pollen purifier	○
Heater – Recirculation	●
Bottle holder – Twin, 2-litre bottle capacity, facia-mounted	●
Glovebox – With lid and A4 file storage capability	●
Power point socket – 2 x 12 V (located on instrument panel and in stowage bin)	●
Power point – 230 V (150 W) power converter (Not available when either SVO A540 or A550 options are specified. Not available on 1 & 3 way tippers (A984 & A983) as SVO A540 is standard on these models)	○
Smokers' Pack – Cigar lighter and ash cups	○
Storage – Front door map pockets	●
Storage – Driver's side, storage compartment on facia top with lift up lid	●
Storage – Underseat stowage compartment (under dual passenger seat)	●
Windows – Electrically-operated front with one-touch lowering on driver's side	●
<p>● = Standard, ○ = Option, at extra cost, □ = Part of an option pack, at extra cost. Ford Emergency Assistance is an innovative SYNC feature that uses a Bluetooth®-paired and connected mobile phone to help vehicle occupants initiate a direct call to the local Communications Centre, following a vehicle crash event involving an airbag deployment or fuel pump shut off. The feature operates in more than 40 European countries and region. The Bluetooth® word mark and logos are owned by the Bluetooth SIG, Inc. and any use of such marks by Ford Motor Company Limited and its associated companies is under licence. Other trademarks and trade names are those of their respective owners.</p>	

230 V power socket

A handy 150 W 230 V power socket, located between the driver's and passenger seats, can be used to charge tools, laptops or other electrical equipment without the need for special adaptors. (Option)



A place for everything

Transit's driver-focused cab combines modern good looks with smart stowage solutions. With plenty of space for bottles, phones and papers, it will help make your workday easier and more efficient.

Underseat stowage compartment

The front dual passenger seat cushions flip up to reveal a hidden compartment large enough to hold a toolbox. (Standard) The centre seat also incorporates a fold-down table, large enough to hold an A4 clipboard, tablet or a laptop computer.

Mechanical features

	Base
Engine technology	
Auto-Start-Stop system (not available with AWD, standard with automatic transmission)	○
Ford Eco Mode (driver information system)	●
Acceleration Control	○
Coated diesel particulate filter (cDPF)	●
Brakes	
Dual-circuit front and rear discs, with self-adjusting servo-assistance and ABS	●
Fuel tank	
Single fuel tank – 75 litres	●
Ford Easy-Fuel capless refuelling system with misfuel inhibit	●
Urea aftertreatment system – 21 litre	●
Steering	
Power-assisted steering	●
Steering column – Rake- and reach-adjustable	●
Suspension	
Front, independent MacPherson struts, variable rate coil springs, stabiliser bar, gas-pressurised shock absorbers and rear leaf springs	●
Engine governors	
Speed Limiter – 56 mph (standard on 470 models) (Legal requirement on N2 vehicles)	○
Speed Limiter – 62 mph	○
Speed Limiter – 70 mph	○

● = Standard, ○ = Option, at extra cost.

Safety, security and driver assistance features

	Base
Safety and driver assistance	
Anti-lock braking system (ABS) – with Electronic Brake-Force Distribution (EBD) ¹⁾	●
Electronic Stability Control (ESC) ¹⁾	●
Curve Control ¹⁾	●
Hill Start Assist (HSA) ²⁾	●
Load Adaptive Control (LAC) ¹⁾	●
Emergency Brake Assist (EBA) ¹⁾	●
Emergency Brake Warning ²⁾	●
Roll Stability Control (RSC) ¹⁾	●
Trailer Sway Control (TSC) ¹⁾ (activated with Ford trailer tow attachments)	○
Airbag – Driver's ¹⁾	●
Airbag – Front passenger's* ¹⁾ (including passenger's airbag deactivation switch)	○
Airbag – Front side and curtain airbags ¹⁾	○
Lane-Keeping Alert ²⁾ (includes Driver Alert ³⁾ and Auto High Beam ¹⁾ , high series instrument cluster and Quickclear heated windscreen) (Standard on 350HD and 470 series)	●
Cruise control (including leather-trimmed steering wheel and Adjustable Speed Limiter)	○
Seat belts – 3-point diagonal inertia reel (all seats) ¹⁾	●
Tyre Pressure Monitoring system (TPMS) ¹⁾ (Not available on Dual Rear Wheel)	○
Security	
Alarm – Perimeter	○
Alarm – Thatcham Category 1 – Cab interior sensing, inclination sensor and trailer coupling, when fitted (includes remote locking with 2 key fobs)	○
First Aid Kit	○
Fuel filler – Standard nozzle	○
Immobiliser – Safeguard Passive Anti-Theft System (PATS) (Insurance-approved Category 2 immobiliser)	●
Locks – Power central locking	○
Locks – Power door deadlocks, shielded with strengthened mountings	●
Locks – Remote control central locking with 1 key fob, one plain key	●
Locks – Remote control central locking with 2 key fobs	○
Locks – Fleet key, plain	○
Locks – Configurable unlocking – 2-stage unlocking*	●
Locks – Configurable unlocking – Independent driver's door unlocking*	○
Locks – Configurable unlocking – Courier unlocking with auto slam lock, zonal opposite door relocking and 3 second auto relocking*	○
Locks – Auto relocking, doors relock after 45 seconds if no door is opened	●
Locks – Audio mis-lock feedback, audible signal if a door is ajar when locking activated	●
Locks – Two-stage unlocking with slam locking	○
Locks – Auto locking on drive-away, doors automatically lock at 5 mph	●
Locks – Key-operated bonnet release	●
Vehicle Identification Number – Visible	●

● = Standard, ○ = Option, at extra cost. ¹⁾Safety feature. ²⁾Driver assistance feature.

*For details of the configurations available please consult your Ford Dealer. **Please note:** Configurable locking must be defined at the time of order, it cannot be ordered as a Dealer-fitted option or accessory.

***Note: A rear-facing child seat should never be placed in the front passenger seat when the Ford vehicle is equipped with an operational front passenger's airbag.**

Tested to extremes

From frost-covered prototypes started up in -40°C at 4,500-metre altitudes, to sun-baked vehicles towing fully-laden trailers up long inclines in 50°C heat, Transit Chassis Cab has been pushed to extremes.



Special Vehicle Options

	SVO Code
Body	
One Way Tipper	A984
Three Way Tipper	A982
Luton Van	A985
Box Van	A983
Roof Air Shield Fairing Pack (for fitment to Box Van)	A840
Less Passenger Seat	A304
Electrical	
Engine RPM Controller (Manual Transmission Only)	A003
2 high performance deep-cycle AGM batteries (2 x 95Ah capacity, 850 CCA batteries under driver's seat)	A738
Beacon Preparation Pack – Switch and wiring (includes auxiliary fuse panel (A526))	A606
High specification interface connector (provides a range of hardwired signals and power (includes auxiliary fuse panel (A526)))	A608
The Ford Programmable Battery Guard – Patented 10-mode programmable battery guard system capable of protecting Ford and 3rd party battery (Standard on 1 & 3-way Tipper)	A540
Convertor (High Power Supply System) – Meets heavy power-take-off requirements by equipping vehicles with two high performance deep cycle AGM Batteries (2 x 95 Ah), 240A alternator, Engine RPM speed control and the Ford Programmable Battery Guard. Manual Transmission only	A550
Paint	
Special Paint, 100 colours available, consult Dealer for details*	Various

○ = Option, at extra cost.

* SVO paint suffix must be entered at time of ordering. SVO paint pulls self-colour (black) bumpers, bodyside mouldings, mirror housings and door handles.

Connect with the road

Even better ride and handling

Ford Transit's renowned driving qualities have been fine-tuned with stiffer suspension mounting bushes and brackets, and an anti-roll bar.

Torque Vectoring Control[®]

This technology is designed to improve traction, roadholding and agility when cornering by continuously optimising the engine torque distributed to each front wheel to match the amount of grip each has available. The result is a more rewarding driving experience. (Standard)

[®]Uses sensors.



Making life easy

Our range of finance, service and assistance options is designed with just one thing in mind – making life easy for you.

Ford Business Service

Efficiency, accuracy and convenience are at the heart of the Ford Transit24 commercial vehicle service promise. Therefore, whether it is servicing, maintenance or repair you need, be sure to come and see us.

- Available from all Transit Centres and Transit Service dealers
- While-you-wait servicing by prior appointment
- Late night servicing available at least once per week
- Priority treatment for urgent repairs
- Vehicle off the road repairs (VOR)*
- Collection and delivery**
- Testing and MOTs
- Transparent pricing
- Genuine Ford parts quality
- Ford-trained technicians
- Interim checks for optimum vehicle performance
- Service Activated Roadside Assistance†
- Ford Protect packages to suit you
- One Call to access all the Ford services you need

For more information and to find your nearest participating Ford Commercial Vehicle Dealer, visit the aftersales support section at www.ford.co.uk/transit24

*Repairs will start on the same working day (as long as you bring your vehicle in before 3pm), or at least within 24 hours of its arrival. If we need to order parts, we'll begin work the day they're delivered. 'Vehicle off road' repairs should be completed within 24-hours.

**Your Transit Centre can arrange to collect your vehicle and deliver it back to you after service or repairs, so you can get on with running your business. By arrangement and limited to a specific mileage radius of the dealer. Contact your local dealer to discuss your requirements.

†Available at participating Dealers only. Roadside Assistance is activated automatically at every routine service with coverage extended valid from the date of service for 12 months, or until the next service is due, whichever comes first. See Ford.co.uk/roadsideassistance for more information.

Dedicated backup from Ford

Ford Fleet Electronic Recall Programme This simplifies the process of recalls and improves communications with the operators of affected vehicles.

Ford Fleet Service Centre A dedicated team of experienced service advisors to assist with your aftersales issues.

Ford Fleet Accident Management Whatever the make of the vehicle, we offer a free, ethical and comprehensive accident management programme.

Efficiency, accuracy and convenience are at the heart of the Ford Transit24 commercial vehicle service promise. So, whether it's servicing, maintenance or repair you need, be sure to come and see us.

For more information and to find your nearest Transit Service Dealer, visit the aftersales support section at www.ford.co.uk/fordfleet

Commercial Vehicle Finance

When it comes to financing your Ford Commercial Vehicle, our size and expertise means we're well placed to provide you with a wide range of finance products.

Ford Credit*: Provides a range of finance products for your vehicle whether you are a private or business user.

Ford Lease^: Specialises in contract hire and leasing and provides an alternative range of finance plans which can be tailored to suit your business.

Important Information:

*Finance subject to status. Guarantees may be required. Freepost Ford Credit. Ford Credit is a trading style of FCE Bank plc. Which is authorised by the Prudential Regulation Authority and regulated by the Financial Conduct Authority and the Prudential Regulation Authority under firm reference number 204469.

^ Ford Lease is provided by ALD Automotive Limited acting as Ford Lease BS16 7LB. ALD is registered in England No. 987418. ALD is authorised and regulated by the Financial Conduct Authority.

Services

To find the location of your nearest Transit Centre simply visit the Ford Dealer locator at www.fordvans.co.uk

Ford Warranty Every new Ford Fiesta Van and Ford Ranger is protected by a 3-year/ 60,000 mile* warranty*.

Ford Transit, Transit/Tourneo Custom, Transit/Tourneo Connect and Transit Courier are protected by a 3-year/100,000 mile warranty*.

Ford Transit Chassis Cab One-Stop bodywork is covered by a 3-year/ 100,000 mile warranty* and a 3-year Perforation Warranty provided by the bodywork supplier.

Ford Perforation Warranty Ford Ranger, Transit, Transit/Tourneo Custom, Transit/Tourneo Connect, Transit Courier and Fiesta Van are covered by the Ford Perforation Warranty* for 12 years from the date of first registration. Please see your Ford Transit Specialist Dealer for details.

Ford Assistance Ford Transit, Transit Custom, Transit Connect and Ranger are supplied with a minimum of a 1-year Ford Assistance roadside package. Further details are available either on www.ford.co.uk or from your local Ford Dealer.

Ford Accident Repair Centres Approved Ford Accident Repair Centres meet rigorous Ford standards and are the best place to return your vehicle to its pre-accident condition.

Contacts

Ford Customer Relationship Centre In the unlikely event that your Ford Dealer can't help you or if you need to speak to us directly, call 0203 564 4444 at local rates.

Ford Rental – local service nationwide Car and Van rental from our latest model range. Contact your local Ford Dealer for more information.

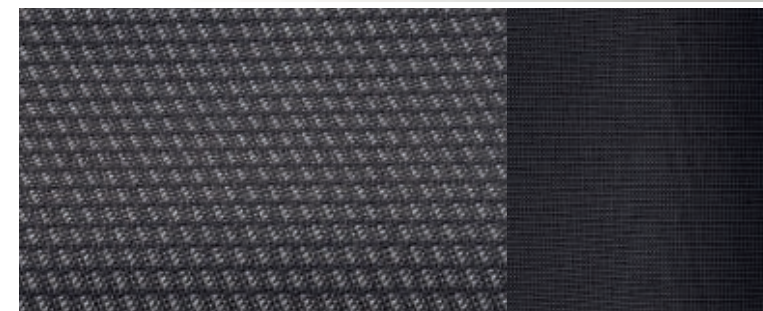
Ford Motability Call our Ford Motability team on 0345 6040019

* year 1 - unlimited mileage

* Subject to terms and conditions. For further information on available extended warranty and service plans please contact the Ford Protect Helpdesk 03702 416726.

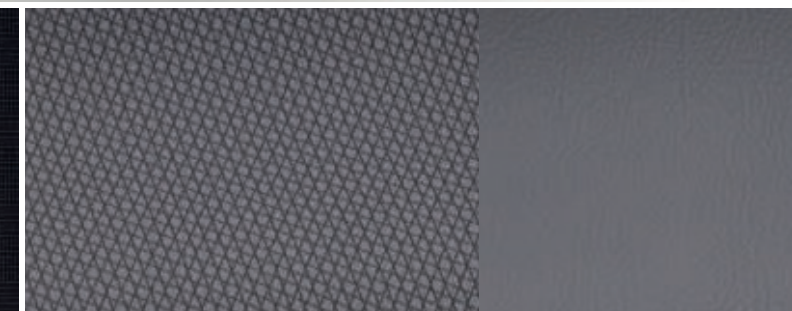
Colour and trim

Choose the body colour that you think best reflects your business brand.



Base

Traxon seat insert in Charcoal Black
Max seat bolsters in Charcoal Black



Base

Artec Vinyl seat insert in Pewter
Prima Vinyl seat bolsters in Pewter

Allergy-friendly interior

Transit's interior uses materials that minimise the risk of an allergic reaction. Models fitted with air conditioning also have a high-performance pollen filter to prevent dust and pollen entering the passenger compartment.



Frozen White
Solid body colour



Race Red
Solid body colour



Blazer Blue
Solid body colour



Tectonic Silver
Metallic body colour*
(Discontinued)



Stratosphere
Metallic body colour*
(Discontinued)



Deep Impact Blue
Metallic body colour*
(Discontinued)



Magnetic
Metallic body colour*



Lunar Sky
Metallic body colour*
(Discontinued)



Moondust Silver
Metallic body colour*



Shadow Black
Mica body colour*

Special Vehicle Options (SVO)

While the Ford Commercial Vehicle range already offers an extensive choice of off-the-shelf features and options, the Special Vehicle Options (SVO) programme goes a step further. Practical options range from heavy-duty batteries to a choice of over 100 colours to match your company's livery.

For more information, please speak to your local Ford Transit Specialist Dealer.

*Metallic and mica body colours are options at extra cost.
The Ford Transit is covered by the Ford Corrosion Protection Warranty for 12 years from the date of first registration. Subject to terms and conditions.

Note The vehicle images used are to illustrate body colours only and may not reflect current specification. Colours and trims reproduced within this brochure may vary from the actual colours, due to the limitations of the printing processes used.

12-year perforation warranty

The Transit owes its durable exterior to a thorough multi-stage painting process. From the wax-injected steel body sections to the hard-wearing top coat, new materials and application processes ensure it will retain its good looks for many years to come.

Zinc coating

Phosphate coat

Electrocoat

Top coat

Clearcoat





MY 2017.5 GBR en

Illustrations, descriptions and specifications. This catalogue was correct at the time of going to print. However, Ford policy is one of continuous product development. The right is reserved to change specifications, colours and recommended prices of the models and items illustrated and described in this publication at any time. For the latest details always consult your Ford Dealer. **Optional equipment.** Throughout this publication, wherever a feature is described as being an 'Option' or 'Option Fitment/Pack' etc, you should assume that it will be at extra cost to the base vehicle, unless specifically stated to the contrary. All models and colour combinations are subject to availability. **Note.** Some images portrayed are of a pre-production model and/or are computer generated, therefore, the design/features on the final version of the vehicle may differ in various respects. In addition, some of the features shown on the vehicles may be optional. **Note.** This brochure contains both original Ford accessories as well as a range of products from our suppliers. Fitment of accessories may have an impact on your vehicle's fuel consumption. **+** The identified accessories are carefully selected third party supplier branded accessories which do not come with a Ford warranty but are covered by the third party supplier's own warranty, the details of which can be obtained from your Ford Dealer. **Note.** The Bluetooth® word mark and logos are owned by the Bluetooth SIG, Inc. and any use of such marks by Ford Motor Company is under licence. The iPod word mark and logos are the property of Apple Inc. Other trademarks and trade names are those of their respective owners. **Note.** Some driver assistance features and safety features described in this brochure are designed to function using sensors, whose performance may be affected under certain weather or environmental conditions.

The Government fuel figures do not express or imply any guarantee of the fuel consumption of any particular vehicle. The vehicles themselves have not been tested and there are inevitably differences between individual vehicles of the same model. In addition, a vehicle may incorporate particular modifications. Furthermore, the driver's style and road and traffic conditions, as well as the extent to which the vehicle has been driven and the standard of maintenance, will affect its fuel consumption. **Insurance groups** are only as recommended by the Association of British Insurers. You should always consult your insurance adviser for confirmation.



Ford and BP – working together to reduce fuel consumption and emissions.



A Smarter Way to Move.

Learn more at fordpass.co.uk



When you have finished with this brochure please recycle it.

Ford One Call

In the unlikely event that your Ford Dealer can't help you or if you need to speak to us directly, call 0203 564 4444

Ford Rental - local service nationwide

Car and Van rental from our latest model range. Contact your local Ford Dealer for more information

Ford Motability

Call our Ford Motability team on 0345 6040019

Finance

Ford Credit Customer Services 0345 712 5490
Ford Lease Customer Services 0345 600 1405
Calls to 0344 and 0345 numbers are charged at the same network rate as a standard 01 or 02 geographic number, even when calling from a mobile.

Published by Ford Motor Company Limited, Brentwood, Essex, England. Registered in England No. 235446. BJV 205331. FoE H64E.

FA 1597/5
1218/GBR en
June 2017.

© Ford Motor Company Limited.

www.ford.co.uk