



- Book a test drive
- > Saloon
- > Estate
- > AMG



> Find a Retailer

# C-Class

Saloon and Estate



Effective from September 2020 Production.

Mercedes-Benz





# Contents

---

**7** Model lines

---

**21** C-Class hybrid

---

**23** BP Chargemaster  
Homecharge

---

**24** Mercedes-AMG models

---

**37** Mercedes me

---

**39** Mercedes-AMG driver  
training

---

**40** Model prices

---

**48** Pricing summary for model  
and equipment lines

---

**50** Driving Assistance package

---

**51** Colours and materials

---

**61** Wheels

---

**64** Standard equipment

---

**74** Optional equipment

---

**76** Genuine Accessories

---

**81** Technical data

---

**95** Road Fund Licence

---

**96** Services and insurance

---

**97** Mercedes-Benz Finance

---



Book a test drive

- > Saloon
- > Estate
- > AMG



> Find a Retailer



3

Model features optional equipment at an additional cost. Wheels are not available.



- Book a test drive
- > Saloon
- > Estate
- > AMG



> Find a Retailer



Model features optional equipment at an additional cost.



- Book a test drive
- > Saloon
- > Estate
- > AMG



> Find a Retailer



Model features optional equipment at an additional cost. Wheels are not available.



Book a test drive

> Saloon

> Estate

> AMG



> Find a Retailer



Model features optional equipment at an additional cost.



- Book a test drive
- [▶ Saloon](#)
- [▶ Estate](#)
- [▶ AMG](#)



[▶ Find a Retailer](#)

## C-Class SE





Book a test drive

> Saloon

> Estate

> AMG



> Find a Retailer



Model lines | SE

8







More dynamic, more stylish, more rewarding: the C-Class SE is stacked with high-end technology as standard, including a reversing camera and DYNAMIC SELECT, which allows you to choose between five individual driving modes: Comfort, ECO, Sport, Sport+ and Individual. In other words, the

C-Class SE has everything to create true driving pleasure. To match the dynamic exterior, the SE is also fitted with black ARTICO man-made leather and high-gloss black trim for a stylish atmosphere inside the cabin.

#### Exterior

Mirror package – electrically-folding mirrors and automatically-dimming exterior driver’s mirror and rear view mirror

17" aero 5-twin-spoke alloy wheels – silver

AGILITY CONTROL comfort suspension

COLLISION PREVENTION ASSIST PLUS

Direct-Steer speed-sensitive steering

DYNAMIC SELECT with a choice of five driving modes

EASY-PACK automatic powered tailgate (Estate only)

Headlamps – halogen with integral LED daytime running lamps

Parking Assist including PARKTRONIC

Rain-sensing windscreen wipers

Reversing camera

Roof rails – black (Estate only)

SPEEDTRONIC cruise control

#### Interior

Interior Lighting package – lighting of footwells, door handle recesses, as well as rear reading lamps (LED) and courtesy lamps in all doors

Seat Comfort package – driver and front passenger seat. Electro-pneumatic four-way lumbar support and manual seat cushion depth adjustment (6 cm)

Audio 20 with 10.25-inch colour display

Black steering wheel gearshift paddles

DAB digital radio tuner

Double cup holder

Heated front seats

Media Interface

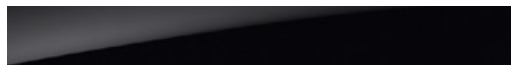
Rear seats – split folding 40:20:40

SD card-based navigation system

Steering wheel – 3-spoke multifunction steering wheel, trimmed in leather

#### Trim and Upholstery

High-gloss black



ARTICO man-made leather – black





- Book a test drive
- > Saloon
- > Estate
- > AMG



> Find a Retailer

# C-Class Sport Edition





- Book a test drive
- > Saloon
- > Estate
- > AMG



> Find a Retailer

Model lines | Sport Edition

11





The Sport Edition is fitted with 18" alloy wheels and MULTIBEAM LED headlamps to emphasise the dynamic appearance of this C-Class. There's plenty of high tech to marvel at, too. Choose between black and silk beige

leather upholstery combined with the high-gloss centre console and brushed aluminium trim on the doors and dashboard.

*In addition/replacement to SE:*

**Exterior**

18" aero 5-spoke alloy wheels – high-gloss black with a high-sheen finish

AGILITY CONTROL comfort suspension – lowered by 15 mm

Headlamps – MULTIBEAM LED

**Interior**

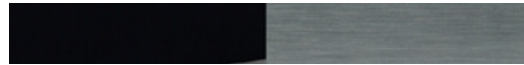
Black steering wheel gearshift paddles

Sports seats in leather

Steering wheel – 3-spoke multifunction steering wheel in nappa leather with trim in silver chrome and perforated leather in grip area

**Trim and Upholstery**

High-gloss black with aluminium



Leather – black



Leather – silk beige



Upgrade price from SE **£1,650**



- Book a test drive
- ▶ Saloon
- ▶ Estate
- ▶ AMG



▶ Find a Retailer

## C-Class AMG Line Edition





- Book a test drive
- > Saloon
- > Estate
- > AMG



> Find a Retailer

Model lines | AMG Line Edition

14





Performance experts AMG have given the C-Class AMG Line Edition an even sportier design edge, starting with AMG bodystyling, 18" AMG alloy wheels and brake calipers with 'Mercedes-Benz' lettering. The interior features

AMG sports pedals in brushed stainless steel and open-pore black ash wood trim. Sports suspension and Sports Direct-Steer system also come as standard on the AMG Line Edition.

*In addition/replacement to Sport Edition:*



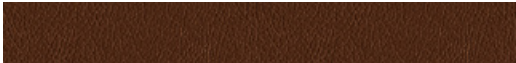

**Exterior**

- 18" AMG aero 5-spoke alloy wheels – tremolite grey
- AGILITY CONTROL sports suspension – lowered by 15 mm
- AMG bodystyling – front apron, rear apron and side skirts
- Brake calipers with 'Mercedes-Benz' lettering and perforated front brake discs
- Privacy glass
- Radiator grille – diamond grille with integrated star, chrome pins
- Sports braking system with perforated front brake discs
- Sports Direct-Steer system with speed-sensitive steering
- Sports suspension

**Interior**

- AMG sports pedals in brushed stainless steel with rubber studs
- AMG sports seats in leather
- 12.3-inch digital instrument display
- Analogue clock
- Floor mats – black with 'AMG' lettering
- Silver steering wheel gearshift paddles
- Steering wheel – 3-spoke multifunction AMG steering wheel in black nappa leather with flattened bottom section, chrome inserts and perforated leather in grip area

**Trim and Upholstery**

- Open-pore grey oak
- 
- Leather – black
- 
- Leather – saddle brown
- 
- Leather – cranberry red
- 

Upgrade price from Sport Edition **£1,495**



Book a test drive

> Saloon

> Estate

> AMG



> Find a Retailer

# AMG Line Night Edition Premium







Book a test drive

> Saloon

> Estate

> AMG



> Find a Retailer

Model lines | AMG Line Night Edition Premium

17





The C-Class AMG Line Night Edition Premium emphasises its athletic exterior with black painted 19" multi-spoke alloy wheels (18" AMG 5-spoke alloy wheels on plug-in hybrid models) and further details in high-gloss black, such as the exterior mirror housings, the spoiler and rear bumper trim.

The interior is equipped with staged ambient lighting with 64 colour settings, a 3-spoke multifunction AMG steering wheel and Memory package. Your multimedia needs are covered with COMAND Online and the Midline sound system adds listening pleasure to driving enjoyment.

*In addition/replacement to AMG Line Edition:*

#### Exterior

18" AMG 5-spoke alloy wheels, aerodynamically optimised, on plug-in hybrid models only

19" multi-spoke alloy wheels

Exterior mirror housings in high-gloss black

Exterior mirrors – electrically adjustable with Memory package

Rear bumper trim in high-gloss black

Spoiler in high-gloss black

#### Interior

Memory package – driver's seat, front passenger seat, steering column

Ambient lighting – staged, 64 colours

COMAND Online

Dashboard – ARTICO man-made leather with contrast stitching

Midline sound system – 225W amplifier output

Steering wheel – 3-spoke multifunction AMG steering wheel in black nappa leather with flattened bottom section, chrome inserts and DINAMICA inserts in grip area

Wireless charging

#### Trim and Upholstery

Open-pore black ash



Leather – black



Upgrade price from AMG Line Edition **£2,500**



Book a test drive

> Saloon

> Estate

> AMG



> Find a Retailer

# AMG Line Night Edition Premium Plus





You'll enjoy all the comfort and style of the AMG Line Night Edition Premium with added benefits: namely the panoramic electric glass sunroof, and 360° view camera. The KEYLESS-GO Comfort package

allows you to open the door without taking the key out of your pocket. Once inside, you'll enjoy a fantastic music experience courtesy of the Burmester surround sound system.

*In addition/replacement to AMG Line Night Edition Premium:*

#### Exterior

KEYLESS-GO Comfort package – hands-free access, automatic powered boot closing, keyless entry and keyless start. Includes chrome trim on top half of door handles

360° camera – four networked short-range cameras in the radiator grille, next to the tailgate release handle plus in the exterior mirror housings, for displaying all four vehicle sides and visualising the vehicle and surroundings from a bird's-eye view in the media display

Panoramic electric glass sunroof – consisting of a fixed panoramic glass rear section and an electrically-operated sliding glass front section

#### Interior

Burmester surround sound system – 13 speakers and a 9-channel amplifier with total output of 590 W (7 × 50 W and 2 × 120 W)

#### Trim and Upholstery

Open-pore black ash



Leather – black



Upgrade price from AMG Line Night Edition Premium **£2,500**



Book a test drive

> Saloon

> Estate

> AMG



> Find a Retailer

## C 300 e EQ Power

21





Book a test drive

> Saloon

> Estate

> AMG



> Find a Retailer

The new C 300 e featuring the latest hybrid technology delivers excellent performance while keeping emissions to a minimum. The hybrid drive system in the C 300 e combines the 211 hp (155 kW) from the 2.0 petrol motor with an electric output of 122 hp (90 kW). Intelligent technology, courtesy of the third-generation EQ Power hybrid transmission, makes for smooth gear changes. The C 300 e has an all-electric range of 33–35 miles.

In conjunction with a wall box charger, the car's 13.5 kW on-board charger allows fast charging of the battery in under two hours.

The C 300 e plug-in hybrid is available as Sport, AMG Line, AMG Line Premium, AMG Line Premium Plus for both Saloon and Estate.





# BP Chargemaster Homecharge – simple, convenient, faster charging

Mercedes-Benz plug-in vehicle customers with off-street parking can benefit from the convenience and speed of charging at home by installing a BP Chargemaster Homecharge unit. The 7 kW BP Chargemaster Homecharge unit delivers a full charge in just four hours – that’s three times faster than using a 13A three-pin domestic plug.<sup>1</sup>

BP Chargemaster Homecharge 7 kW: **£499\*** incl. VAT & installation



## Key benefits of the 7 kW BP Chargemaster Homecharge:

Robust and weatherproof, for indoor or outdoor use, and comes with a three year warranty

Installed in as little as two weeks

The cost for a fully-installed charge point at your home includes the £350 OLEV (EVHS) grant<sup>2</sup>

As a Mercedes-Benz driver, when you install a BP Chargemaster Homecharge unit you will automatically receive three months FREE membership to POLAR plus, the UK’s largest public charging network with over 6,500 charge points

## Questions?

- Simply email [mercedes-benz@chargemasterplc.com](mailto:mercedes-benz@chargemasterplc.com) or
- call their dedicated Homecharge team on 01582 399 412

## !Warning

If you are planning to charge your Mercedes-Benz plug-in electric vehicle using a 3-pin domestic plug socket you must get a qualified electrician to inspect and sign off the socket to confirm it is safe and suitable to charge your vehicle. Do not use an electric vehicle 3-pin charge cable with an extension cord.



\*Price includes £350 OLEV EVHS Grant. Price correct at time of publication, subject to change <sup>1</sup>Based on 7kW power output for plug-in hybrid vehicles

<sup>2</sup>The BP Chargemaster Homecharge £350 Grant (including VAT) is only available to customers who meet the criteria of the Office of Low Emission Vehicles (OLEV) and is provided and installed by BP Chargemaster plc. For full details and eligibility criteria for the OLEV EVHS Grant, see <https://www.gov.uk/government/publications/electric-vehicle-homecharge-scheme-guidance-for-customers-version-21>. For full BP Chargemaster Homecharge Terms & Conditions visit [https://chargemasterplc.com/terms\\_conditions](https://chargemasterplc.com/terms_conditions)



Book a test drive

- ▶ Saloon
- ▶ Estate
- ▶ AMG



▶ Find a Retailer

# Mercedes-AMG C 43 4MATIC Edition







- Book a test drive
- > Saloon
- > Estate
- > AMG



> Find a Retailer

Model lines | Mercedes-AMG C43 4MATIC Edition

25





Powered by a vigorous V6 engine, the Mercedes-AMG C 43 4MATIC Edition is a true performance car. 18" AMG aero wheels, AMG bodystyling and 'AMG' lettering – visible on the front brake calipers and the diamond grille with chrome pins – all point to a sporty pedigree. The 'BITURBO 4MATIC'

lettering references all-wheel drive for superior driving dynamics. Equally packed with energy, the interior features leather sports seats with red contrast stitching on the ARTICO man-made leather dashboard.

#### Exterior

18" AMG aero 5-spoke alloy wheels – painted tremolite grey

AMG bodystyling – front apron with distinctive air intakes, AMG side sill panels and AMG rear apron with diffuser look

'AMG' lettering on front brake calipers

AMG spoiler lip in vehicle colour

'BITURBO 4MATIC' lettering on front wings

Black mirror housings

Radiator grille – AMG design with double louvre in matt iridium silver and 'AMG' lettering

#### Interior

10.25-inch multimedia colour display

AMG boot logo in central screen

Ambient lighting – staged, 64 colours

ARTICO man-made leather dashboard with red contrast stitching

Floor mats – with black leather edging, red piping and AMG logo

Front door sill panels with 'AMG' lettering

Leather upholstery

Red seat belts

#### Trim and Upholstery

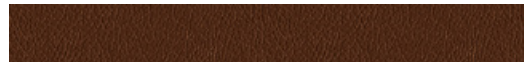
Open-pore black ash



Leather – black



Leather – saddle brown



Leather – cranberry red





- Book a test drive
- > Saloon
- > Estate
- > AMG



> Find a Retailer

# Mercedes-AMG C 43 4MATIC Edition Premium





Book a test drive

- > Saloon
- > Estate
- > AMG



> Find a Retailer

Model lines | Mercedes-AMG C43 4MATIC Edition Premium

28



Option shown: cavansite blue (code 890)





Based on the Mercedes-AMG C 43 Edition, this model comes with its very own highly distinctive features. The Mercedes-AMG C 43 4MATIC Edition Premium features further style and comfort equipment such as the

Memory package, Ambient lighting, 19" AMG 5-twin spoke wheels in high-gloss black, COMAND Online and the Midline sound system.

#### Exterior

19" AMG 5-twin-spoke alloy wheels – painted high-gloss black

#### Interior

Memory package – driver's seat, front passenger seat, steering column and exterior mirrors are electrically adjustable with memory

Ambient lighting – staged, 64 colours

COMAND Online

Midline sound system – 225W amplifier output

Steering wheel – 3-spoke multifunction AMG steering wheel in black nappa leather with flattened bottom section, chrome inserts and DINAMICA inserts in grip area

Wireless charging

#### Trim and Upholstery

Open-pore black ash



Leather – black



Leather – saddle brown



Leather – cranberry red



Leather – black with red contrast stitching



Upgrade price from Mercedes-AMG C 43 Edition **£2,000**



Book a test drive

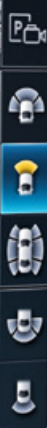
- > Saloon
- > Estate
- > AMG



> Find a Retailer

# Mercedes-AMG C 43 4MATIC Edition Premium Plus

Vorne





You'll enjoy all the comfort and style of the Mercedes-AMG C 43 Edition Premium with added benefits: namely the panoramic electric glass sunroof, and 360° view camera. The KEYLESS-GO Comfort package

allows you to open the door without taking the key out of your pocket. Once inside, you'll enjoy a fantastic music experience courtesy of the Burmester surround sound system.

*In addition/replacement to Mercedes-AMG C 43 Edition Premium:*

**Exterior**

KEYLESS-GO Comfort package – hands-free access, automatic powered boot closing, keyless entry and keyless start. Includes chrome trim on top half of door handles

360° camera – four networked short-range cameras in the radiator grille, next to the tailgate release handle plus in the exterior mirror housings, for displaying all four vehicle sides and visualising the vehicle and surroundings from a bird's-eye view in the media display

Panoramic electric glass sunroof – consisting of a fixed panoramic glass rear section and an electrically-operated sliding glass front section

**Interior**

Burmester surround sound system – 13 speakers and a 9-channel amplifier with total output of 590 W (7 × 50 W and 2 × 120 W)

**Trim and Upholstery**

Open-pore black ash



Leather – black



Leather – saddle brown



Leather – cranberry red



Leather – black with red contrast stitching



Upgrade price from Mercedes-AMG C 43 Edition Premium **£2,000**



Book a test drive

- > Saloon
- > Estate
- > AMG



> Find a Retailer

# Mercedes-AMG C 63 S







[Book a test drive](#) [> Saloon](#)  
[> Estate](#)  
[> AMG](#)



[> Find a Retailer](#)



Model lines | Mercedes-AMG C 63 S

33





If you can't get enough of the C-Class, opt for the Mercedes-AMG C 63 S. It truly raises you to the next level with the AMG Driver's package that increases the top speed. The exterior oozes pure power: starting from the grey 19"/20" AMG 5-twin-spoke alloy wheels with red brake calipers all the way to the new rear apron diffuser and the dual angular tailpipe design.

Inside, you'll find AMG Performance seats with black nappa leather upholstery featuring contrast stitching and crystal grey seatbelts. In true performance style, COMAND Online also features AMG Track Pace, a handy feature to record your lap times on the racetrack.

#### Exterior

AMG Driver's package - increasing top speed to 180 mph (Saloon)/174 mph (Estate)

19"/20" AMG 5-twin-spoke alloy wheels, aerodynamically optimised, painted tantalite grey with a high-sheen finish

Brake calipers - red

Rear apron including diffuser blade

Tailpipe design (double angular)

'V8 BITURBO' lettering on front wings

#### Interior

'AMG C 63 S' badging at the rear

AMG Performance seats with nappa leather upholstery

AMG Performance steering wheel in nappa leather/DINAMICA microfibre - sporty 3-spoke design, flattened lower section and perforated grip area

AMG Track Pace

Seat belts - crystal grey

SPEEDTRONIC cruise control with variable speed limiter

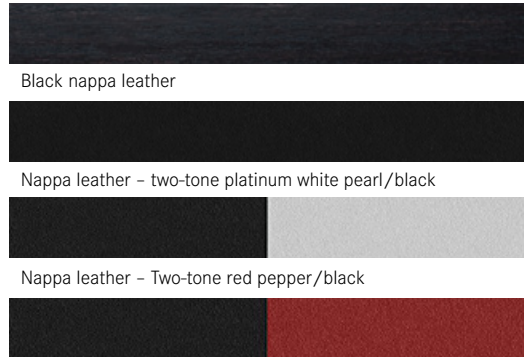
#### Trim and Upholstery

Open-pore grey oak

Black nappa leather

Nappa leather - two-tone platinum white pearl/black

Nappa leather - Two-tone red pepper/black





Book a test drive

> Saloon

> Estate

> AMG



> Find a Retailer

# Mercedes-AMG C 63 S Premium Plus





You'll enjoy all the comfort and style of the Mercedes-AMG C 63 S with added benefits: namely the panoramic electric glass sunroof, and 360° view camera. The KEYLESS-GO Comfort package allows you to open the

door without taking the key out of your pocket. Once inside, you'll enjoy a fantastic music experience courtesy of the Burmester surround sound system, featuring 13 speakers and a 9-channel amplifier.

*In addition/replacement to Mercedes-AMG C 63 S:*

**Exterior**

KEYLESS-GO Comfort package – hands-free access, automatic powered boot closing, keyless entry and keyless start. Includes chrome trim on top half of door handles

360° camera – four networked short-range cameras in the radiator grille, next to the tailgate release handle plus in the exterior mirror housings, for displaying all four vehicle sides and visualising the vehicle and surroundings from a bird's-eye view in the media display

Panoramic electric glass sunroof – consisting of a fixed panoramic glass rear section and an electrically-operated sliding glass front section

**Interior**

Burmester surround sound system – 13 speakers and a 9-channel amplifier with total output of 590 W (7 × 50 W and 2 × 120 W)

**Trim and Upholstery**

Open-pore grey oak



Black nappa leather



Nappa leather – two-tone platinum white pearl/black



Nappa leather – Two-tone red pepper/black



Upgrade price from Mercedes-AMG 63 S **£3,114**



Book a test drive

> Saloon

> Estate

> AMG



> Find a Retailer

# Mercedes me connect.

## Stay connected, any time, anywhere.

Mercedes me is a range of innovative online services designed to enhance your Mercedes-Benz experience. Accessible via mobile, tablet or PC, Mercedes me lets you enjoy the highest standards of care and support, in a way that integrates seamlessly with your busy lifestyle.



### Navigation Services (01U)

Visit the Mercedes me connect store or app for pricing.



#### Live Traffic Information<sup>1</sup>

Your navigation system receives traffic data in real time, enabling it to optimise the dynamic route guidance, minimising drive time and offering more precise estimation of arrival times.



#### Available parking spaces

Locates parking spaces for you in multi-storey car parks and on the street. Saving you time and hassle.



#### connect Store

In the Mercedes me connect Store you can purchase many digital services designed to make your everyday life easier and provide useful information relating to your networked vehicle.



#### TIDAL

Love music? Get a 3-month TIDAL HiFi subscription free with Mercedes me connect (worth £60) and unlock access to 58 million songs.



#### Local Search

This feature provides support in the local search for restaurants or hotels and much more.



#### Send2Car

Make your journey easier: set your destination using the Mercedes me app and send it directly to your car's navigation system.



#### Internet Radio

Listen to podcasts and radio stations from anywhere in the world.



#### Digital Assistant

Digital Assistant allows you to connect to your car via Amazon Alexa or Google Assistant, meaning you can ask from the comfort of your sofa - is my car locked? When's the next service due? How much fuel do I have? Plus much more.

For more information speak to your local Retailer or visit the Mercedes me connect store at [shop.mercedes-benz.com/en-gb/connect](http://shop.mercedes-benz.com/en-gb/connect)

<sup>1</sup>Free of charge for first 3 years. Extension possible, visit the Mercedes me connect store for details on pricing



Book a test drive

> Saloon

> Estate

> AMG



> Find a Retailer

# Mercedes me connect.

Stay connected, any time, anywhere.

Mercedes me is a range of innovative online services designed to enhance your Mercedes-Benz experience. Accessible via mobile, tablet or PC, Mercedes me lets you enjoy the highest standards of care and support, in a way that integrates seamlessly with your busy lifestyle.



## Vehicle Set-up (08U)

Visit the Mercedes me connect store or app for pricing.



### Remote Vehicle Status

Check safety information, such as coolant level and brake pad condition, so you can be sure your car is safe and ready to drive.



### Personalisation

Store your preferences, such as your favourite radio stations and apps, to create your personal driver profile.



### Parked Vehicle Locator

Forgot where you parked your car? No problem: you can locate and track your car, with the Parked Vehicle Locator.



### Vehicle Tracker

Track the location of your car anywhere in the world.



### Pre-Entry Climate Control

Programming of charging settings and Pre-Entry Climate Control for plug-in vehicles.



### Remote Door Locking/Unlocking

Lock and unlock your car remotely, wherever you are in the world.



### Valet Protect

Worried about your car when you've left it at a long stay car park? With Valet Protect, you'll get an instant notification to your phone when the ignition is started or if your car moves out of a pre-defined area of up to a three mile radius.



### Geo-fencing

Set up a geographical boundary and receive alerts whenever your car enters or leaves this area.

For more information speak to your local Retailer or visit the Mercedes me connect store at [shop.mercedes-benz.com/en-gb/connect](http://shop.mercedes-benz.com/en-gb/connect)



Book a test drive

> Saloon

> Estate

> AMG



> Find a Retailer

# Become the AMG expert

Unleash a new level of performance.

All Mercedes-AMG customers are invited to a complimentary adrenaline-packed driving experience, under the guidance of our driving specialists at Mercedes-Benz World.



## Discover AMG at Mercedes-Benz World

- Individually tailored to your ability
- No previous track experience necessary
- See how well an AMG performs when pushed to its limits
- Put your theoretical driving knowledge to the test on a real track
- Understand the cause and effect of understeer, oversteer drift, collision avoidance and track etiquette
- Get to grips with the Mercedes-Benz World's purpose-built track and dynamic driving facilities

## TERMS AND CONDITIONS

The following customers only are eligible: the first purchaser/registered keeper of a newly registered Mercedes-AMG. The complimentary Training as described in the brochure must be booked and taken within six months of delivery of your Mercedes-AMG. The Training is available Monday to Friday and is subject to availability. Requests for Saturday and Sunday will incur an additional charge. Upgrades are available for an additional cost: details upon request. Transferable to individuals who reside at the same postal address only. Mercedes-Benz Cars UK Limited reserves the right to amend or withdraw this Training experience. Attendees must hold a full UK driving licence. Attendees will be required to sign the Mercedes-Benz World Driving Risk Acknowledgement prior to undertaking the Training experience. The Training experience is also subject to the Mercedes-Benz World Terms and Conditions, as applicable. Invitation is emailed to the customer post-delivery. Permission via the customer contact preferences must be given to enable Mercedes-Benz World to contact. Retailer demonstrator vehicles are not eligible.



## Model prices – Saloon

Model line	Engine	Transmission	CO <sub>2</sub> WLTP <sup>1,*</sup>	Basic RRP excl. VAT	Total RRP incl. VAT	Road Fund Licence WLTP <sup>2</sup>	Rec. OTR price WLTP <sup>3</sup>	P11D value	BiK tax rate 2020/21
SE	<b>C 220 d</b> Diesel – 1,950 cc, 4-cylinder, 194 hp/143 kW	9G-TRONIC PLUS 9-speed automatic	131	£29,870.83	£35,845.00	£215.00	£36,855.00	£36,585.00	29%
	<b>C 200</b> Petrol – 1,497 cc, 4-cylinder, 184 hp/135 kW EQ Boost – 14 hp/10 kW	9G-TRONIC PLUS 9-speed automatic	153	£27,779.17	£33,335.00	£530.00	£34,660.00	£34,075.00	34%
Sport Edition	<b>C 220 d</b> Diesel – 1,950 cc, 4-cylinder, 194 hp/143 kW	9G-TRONIC PLUS 9-speed automatic	133	£31,245.83	£37,495.00	£215.00	£38,505.00	£38,235.00	29%
	<b>C 300 de EQ Power</b> Diesel – 1,950 cc, 4-cylinder, 194 hp/143 kW Electric motor – 122 hp/90 kW	9G-TRONIC PLUS 9-speed automatic	31	£35,183.33	£42,220.00	£0.00	£43,015.00	£42,960.00	10%
	<b>C 200</b> Petrol – 1,497 cc, 4-cylinder, 184 hp/135 kW EQ Boost – 14 hp/10 kW	9G-TRONIC PLUS 9-speed automatic	155	£29,154.17	£34,985.00	£530.00	£36,310.00	£35,725.00	34%
	<b>C 300 e EQ Power</b> Petrol – 1,991 cc, 4-cylinder, 211 hp/155 kW Electric motor – 122 hp/90 kW	9G-TRONIC PLUS 9-speed automatic	34	£33,395.00	£40,074.00	£0.00	£40,869.00	£40,814.00	10%

<sup>1</sup>The indicated values were determined according to the prescribed measurement method – Worldwide Harmonised Light Vehicle Test Procedure (WLTP). Figures shown may include options which are not available in the UK.

<sup>\*</sup>Figures shown are for comparability purposes; only compare with other cars tested to the same technical procedures. Figures may not reflect real life driving results, which will depend upon a number of factors including factory-fitted options, accessories fitted (post registration), variations in weather, driving styles and vehicle load. Further information about the test used to establish fuel consumption and CO<sub>2</sub> figures can be found at <http://www.mercedes-benz.co.uk/WLTP>

<sup>2</sup>A different first year rate of Vehicle Excise Duty (Road Fund Licence) applies for new cars. Please refer to page 95 for the relevant rate for the second and subsequent years

<sup>3</sup>The recommended on-the-road price includes the Road Fund Licence applicable to the standard model plus delivery charge (£715.00 incl. VAT), new vehicle registration fee (£55.00) and number plates (£25.00 incl. VAT). VAT is calculated at the standard rate of 20%





Model line	Engine	Transmission	CO <sub>2</sub> WLTP <sup>1,*</sup>	Basic RRP excl. VAT	Total RRP incl. VAT	Road Fund Licence WLTP <sup>2</sup>	Rec. OTR price WLTP <sup>3</sup>	P11D value	BiK tax rate 2020/21
AMG Line Edition	<b>C 220 d</b> Diesel – 1,950 cc, 4-cylinder, 194 hp/143 kW	9G-TRONIC PLUS 9-speed automatic	134	£32,491.67	£38,990.00	£215.00	£40,000.00	£39,730.00	29%
	<b>C 300 d</b> Diesel – 1,950 cc, 4-cylinder, 245 hp/180 kW	9G-TRONIC PLUS 9-speed automatic	145	£33,370.83	£40,045.00	£215.00	£41,055.00	£40,785.00	32%
	<b>C 300 de EQ Power</b> Diesel – 1,950 cc, 4-cylinder, 194 hp/143 kW Electric motor – 122 hp/90 kW	9G-TRONIC PLUS 9-speed automatic	31	£36,429.17	£43,715.00	£0.00	£44,510.00	£44,455.00	10%
	<b>C 200</b> Petrol – 1,497 cc, 4-cylinder, 184 hp/135 kW EQ Boost – 14 hp/10 kW	9G-TRONIC PLUS 9-speed automatic	156	£30,400.00	£36,480.00	£530.00	£37,805.00	£37,220.00	34%
	<b>C 300</b> Petrol – 1,991 cc, 4-cylinder, 258 hp/190 kW EQ Boost – 14 hp/10 kW	9G-TRONIC PLUS 9-speed automatic	162	£32,700.00	£39,240.00	£530.00	£40,565.00	£39,980.00	35%
	<b>C 300 e EQ Power</b> Petrol – 1,991 cc, 4-cylinder, 211 hp/155 kW Electric motor – 122 hp/90 kW	9G-TRONIC PLUS 9-speed automatic	35	£34,640.83	£41,569.00	£0.00	£42,364.00	£42,309.00	10%
AMG Line Night Edition Premium	<b>C 220 d</b> Diesel – 1,950 cc, 4-cylinder, 194 hp/143 kW	9G-TRONIC PLUS 9-speed automatic	143	£34,575.00	£41,490.00	£215.00	£42,500.00	£42,230.00	31%
	<b>C 300 d</b> Diesel – 1,950 cc, 4-cylinder, 245 hp/180 kW	9G-TRONIC PLUS 9-speed automatic	155	£35,454.17	£42,545.00	£540.00	£43,880.00	£43,285.00	34%
	<b>C 300 de EQ Power</b> Diesel – 1,950 cc, 4-cylinder, 194 hp/143 kW Electric motor – 122 hp/90 kW	9G-TRONIC PLUS 9-speed automatic	32	£39,258.33	£47,110.00	£0.00	£47,905.00	£47,850.00	10%

<sup>1</sup>The indicated values were determined according to the prescribed measurement method – Worldwide Harmonised Light Vehicle Test Procedure (WLTP). Figures shown may include options which are not available in the UK.

<sup>\*</sup>Figures shown are for comparability purposes; only compare with other cars tested to the same technical procedures. Figures may not reflect real life driving results, which will depend upon a number of factors including factory-fitted options, accessories fitted (post registration), variations in weather, driving styles and vehicle load. Further information about the test used to establish fuel consumption and CO<sub>2</sub> figures can be found at <http://www.mercedes-benz.co.uk/WLTP>

<sup>2</sup>A different first year rate of Vehicle Excise Duty (Road Fund Licence) applies for new cars. Please refer to page 95 for the relevant rate for the second and subsequent years

<sup>3</sup>The recommended on-the-road price includes the Road Fund Licence applicable to the standard model plus delivery charge (£715.00 incl. VAT), new vehicle registration fee (£55.00) and number plates (£25.00 incl. VAT). VAT is calculated at the standard rate of 20%



Model line	Engine	Transmission	CO <sub>2</sub> WLTP <sup>1,*</sup>	Basic RRP excl. VAT	Total RRP incl. VAT	Road Fund Licence WLTP <sup>2</sup>	Rec. OTR price WLTP <sup>3</sup>	P11D value	BiK tax rate 2020/21
AMG Line Night Edition Premium	<b>C200</b> Petrol – 1,497 cc, 4-cylinder, 184 hp/135 kW EQ Boost – 14 hp/10 kW	9G-TRONIC PLUS 9-speed automatic	169	£32,483.33	£38,980.00	£530.00	£40,305.00	£39,720.00	36
	<b>C300</b> Petrol – 1,991 cc, 4-cylinder, 258 hp/190 kW EQ Boost – 14 hp/10 kW	9G-TRONIC PLUS 9-speed automatic	170	£34,783.33	£41,740.00	£530.00	£43,065.00	£42,480.00	37%
	<b>C300 e EQ Power</b> Petrol – 1,991 cc, 4-cylinder, 211 hp/155 kW Electric motor – 122 hp/90 kW	9G-TRONIC PLUS 9-speed automatic	36	£37,470.00	£44,964.00	£0.00	£45,759.00	£45,704.00	10%
AMG Line Night Edition Premium Plus	<b>C220 d</b> Diesel – 1,950 cc, 4-cylinder, 194 hp/143 kW	9G-TRONIC PLUS 9-speed automatic	145	£36,658.33	£43,990.00	£215.00	£45,000.00	£44,730.00	32%
	<b>C300 d</b> Diesel – 1,950 cc, 4-cylinder, 245 hp/180 kW	9G-TRONIC PLUS 9-speed automatic	157	£37,537.50	£45,045.00	£540.00	£46,380.00	£45,785.00	34%
	<b>C300 de EQ Power</b> Diesel – 1,950 cc, 4-cylinder, 194 hp/143 kW Electric motor – 122 hp/90 kW	9G-TRONIC PLUS 9-speed automatic	33	£41,341.67	£49,610.00	£0.00	£50,405.00	£50,350.00	10%
	<b>C200</b> Petrol – 1,497 cc, 4-cylinder, 184 hp/135 kW EQ Boost – 14 hp/10 kW	9G-TRONIC PLUS 9-speed automatic	171	£34,566.67	£41,480.00	£860.00	£43,135.00	£42,220.00	37
	<b>C300</b> Petrol – 1,991 cc, 4-cylinder, 258 hp/190 kW EQ Boost – 14 hp/10 kW	9G-TRONIC PLUS 9-speed automatic	171	£36,866.67	£44,240.00	£860.00	£45,895.00	£44,980.00	37%

<sup>1</sup>The indicated values were determined according to the prescribed measurement method – Worldwide Harmonised Light Vehicle Test Procedure (WLTP). Figures shown may include options which are not available in the UK.

<sup>\*</sup>Figures shown are for comparability purposes; only compare with other cars tested to the same technical procedures. Figures may not reflect real life driving results, which will depend upon a number of factors including factory-fitted options, accessories fitted (post registration), variations in weather, driving styles and vehicle load. Further information about the test used to establish fuel consumption and CO<sub>2</sub> figures can be found at <http://www.mercedes-benz.co.uk/WLTP>

<sup>2</sup>A different first year rate of Vehicle Excise Duty (Road Fund Licence) applies for new cars. Please refer to page 95 for the relevant rate for the second and subsequent years

<sup>3</sup>The recommended on-the-road price includes the Road Fund Licence applicable to the standard model plus delivery charge (£715.00 incl. VAT), new vehicle registration fee (£55.00) and number plates (£25.00 incl. VAT). VAT is calculated at the standard rate of 20%



Model line	Engine	Transmission	CO <sub>2</sub> WLTP <sup>1,*</sup>	Basic RRP excl. VAT	Total RRP incl. VAT	Road Fund Licence WLTP <sup>2</sup>	Rec. OTR price WLTP <sup>3</sup>	P11D value	BiK tax rate 2020/21
<b>AMG Line Night Edition Premium Plus</b>	<b>C 300 e EQ Power</b> Petrol – 1,991 cc, 4-cylinder, 211 hp/155 kW Electric motor – 122 hp/90 kW	9G-TRONIC PLUS 9-speed automatic	37	£38,807.50	£46,569.00	£0.00	£47,364.00	£47,309.00	10%
<b>Mercedes-AMG Edition</b>	<b>AMG C 43 4MATIC</b> Petrol – 2,996 cc, 6-cylinder, 390 hp/287 kW	9G-TRONIC PLUS 9-speed automatic	221	£40,662.50	£48,795.00	£1,305.00	£50,895.00	£49,535.00	37%
<b>Mercedes-AMG Edition Premium</b>	<b>AMG C 43 4MATIC</b> Petrol – 2,996 cc, 6-cylinder, 390 hp/287 kW	9G-TRONIC PLUS 9-speed automatic	223	£42,329.17	£50,795.00	£1,305.00	£52,895.00	£51,535.00	37%
<b>Mercedes-AMG Edition Premium Plus</b>	<b>AMG C 43 4MATIC</b> Petrol – 2,996 cc, 6-cylinder, 390 hp/287 kW	9G-TRONIC PLUS 9-speed automatic	225	£43,995.83	£52,795.00	£1,305.00	£54,895.00	£53,535.00	37%
<b>Mercedes-AMG</b>	<b>AMG C 63 S</b> Petrol – 3,982 cc, 8-cylinder, 510 hp/375 kW	AMG SPEEDSHIFT MCT 9-speed auto.	245	£61,881.67	£74,258.00	£1,850.00	£76,903.00	£74,998.00	37%
<b>Mercedes-AMG Premium Plus</b>	<b>AMG C 63 S</b> Petrol – 3,982 cc, 8-cylinder, 510 hp/375 kW	AMG SPEEDSHIFT MCT 9-speed auto.	247	£64,476.67	£77,372.00	£1,850.00	£80,017.00	£78,112.00	37%

<sup>1</sup>The indicated values were determined according to the prescribed measurement method – Worldwide Harmonised Light Vehicle Test Procedure (WLTP). Figures shown may include options which are not available in the UK.

<sup>\*</sup>Figures shown are for comparability purposes; only compare with other cars tested to the same technical procedures. Figures may not reflect real life driving results, which will depend upon a number of factors including factory-fitted options, accessories fitted (post registration), variations in weather, driving styles and vehicle load. Further information about the test used to establish fuel consumption and CO<sub>2</sub> figures can be found at <http://www.mercedes-benz.co.uk/WLTP>

<sup>2</sup>A different first year rate of Vehicle Excise Duty (Road Fund Licence) applies for new cars. Please refer to page 95 for the relevant rate for the second and subsequent years

<sup>3</sup>The recommended on-the-road price includes the Road Fund Licence applicable to the standard model plus delivery charge (£715.00 incl. VAT), new vehicle registration fee (£55.00) and number plates (£25.00 incl. VAT). VAT is calculated at the standard rate of 20%



## Model prices – Estate

Model line	Engine	Transmission	CO <sub>2</sub> WLTP <sup>1,*</sup>	Basic RRP excl. VAT	Total RRP incl. VAT	Road Fund Licence WLTP <sup>2</sup>	Rec. OTR price WLTP <sup>3</sup>	P11D value	BiK tax rate 2020/21
Sport Edition	<b>C 220 d</b> Diesel – 1,950 cc, 4-cylinder, 194 hp/143 kW	9G-TRONIC PLUS 9-speed automatic	137	£32,245.83	£38,695.00	£215.00	£39,705.00	£39,435.00	30%
	<b>C 300 de EQ Power</b> Diesel – 1,950 cc, 4-cylinder, 194 hp/143 kW Electric motor – 122 hp/90 kW	9G-TRONIC PLUS 9-speed automatic	33	£36,183.33	£43,420.00	£0.00	£44,215.00	£44,160.00	10%
	<b>C 200</b> Petrol – 1,497 cc, 4-cylinder, 184 hp/135 kW EQ Boost – 14 hp/10 kW	9G-TRONIC PLUS 9-speed automatic	164	£30,154.17	£36,185.00	£530.00	£37,510.00	£36,925.00	35%
	<b>C 300 e EQ Power</b> Petrol – 1,991 cc, 4-cylinder, 211 hp/155 kW Electric motor – 122 hp/90 kW	9G-TRONIC PLUS 9-speed automatic	37	£34,395.00	£41,274.00	£0.00	£42,069.00	£42,014.00	10%
AMG Line Edition	<b>C 220 d</b> Diesel – 1,950 cc, 4-cylinder, 194 hp/143 kW	9G-TRONIC PLUS 9-speed automatic	136	£33,491.67	£40,190.00	£215.00	£41,200.00	£40,930.00	30%
	<b>C 300 d</b> Diesel – 1,950 cc, 4-cylinder, 245 hp/180 kW	9G-TRONIC PLUS 9-speed automatic	149	£34,370.83	£41,245.00	£215.00	£42,255.00	£41,985.00	32%
	<b>C 300 de EQ Power</b> Diesel – 1,950 cc, 4-cylinder, 194 hp/143 kW Electric motor – 122 hp/90 kW	9G-TRONIC PLUS 9-speed automatic	33	£37,429.17	£44,915.00	£0.00	£45,710.00	£45,655.00	10%
	<b>C 200</b> Petrol – 1,497 cc, 4-cylinder, 184 hp/135 kW EQ Boost – 14 hp/10 kW	9G-TRONIC PLUS 9-speed automatic	164	£31,400.00	£37,680.00	£530.00	£39,005.00	£38,420.00	35%

<sup>1</sup>The indicated values were determined according to the prescribed measurement method – Worldwide Harmonised Light Vehicle Test Procedure (WLTP). Figures shown may include options which are not available in the UK.

<sup>\*</sup>Figures shown are for comparability purposes; only compare with other cars tested to the same technical procedures. Figures may not reflect real life driving results, which will depend upon a number of factors including factory-fitted options, accessories fitted (post registration), variations in weather, driving styles and vehicle load. Further information about the test used to establish fuel consumption and CO<sub>2</sub> figures can be found at <http://www.mercedes-benz.co.uk/WLTP>

<sup>2</sup>A different first year rate of Vehicle Excise Duty (Road Fund Licence) applies for new cars. Please refer to page 95 for the relevant rate for the second and subsequent years

<sup>3</sup>The recommended on-the-road price includes the Road Fund Licence applicable to the standard model plus delivery charge (£715.00 incl. VAT), new vehicle registration fee (£55.00) and number plates (£25.00 incl. VAT). VAT is calculated at the standard rate of 20%



Model line	Engine	Transmission	CO <sub>2</sub> WLTP <sup>1,*</sup>	Basic RRP excl. VAT	Total RRP incl. VAT	Road Fund Licence WLTP <sup>2</sup>	Rec. OTR price WLTP <sup>3</sup>	P11D value	BiK tax rate 2020/21
AMG Line Edition	<b>C 300</b> Petrol – 1,991 cc, 4-cylinder, 258hp/190kW EQ Boost – 14 hp/10 kW	9G-TRONIC PLUS 9-speed automatic	166	£33,700.00	£40,440.00	£530.00	£41,765.00	£41,180.00	36%
	<b>C 300 e EQ Power</b> Petrol – 1,991 cc, 4-cylinder, 211 hp/155 kW Electric motor – 122 hp/90 kW	9G-TRONIC PLUS 9-speed automatic	37	£35,640.83	£42,769.00	£0.00	£43,564.00	£43,509.00	10%
AMG Line Night Edition Premium	<b>C 220 d</b> Diesel – 1,950 cc, 4-cylinder, 194 hp/143 kW	9G-TRONIC PLUS 9-speed automatic	148	£35,575.00	£42,690.00	£215.00	£43,700.00	£43,430.00	32%
	<b>C 300 d</b> Diesel – 1,950 cc, 4-cylinder, 245 hp/180 kW	9G-TRONIC PLUS 9-speed automatic	162	£36,454.17	£43,745.00	£540.00	£45,080.00	£44,485.00	35%
	<b>C 300 de EQ Power</b> Diesel – 1,950 cc, 4-cylinder, 194 hp/143 kW Electric motor – 122 hp/90 kW	9G-TRONIC PLUS 9-speed automatic	33	£40,258.33	£48,310.00	£0.00	£49,105.00	£49,050.00	10%
	<b>C 200</b> Petrol – 1,497 cc, 4-cylinder, 184 hp/135 kW EQ Boost – 14 hp/10 kW	9G-TRONIC PLUS 9-speed automatic	174	£33,483.33	£40,180.00	£860.00	£41,835.00	£40,920.00	37%
	<b>C 300</b> Petrol – 1,991 cc, 4-cylinder, 258hp/190kW EQ Boost – 14 hp/10 kW	9G-TRONIC PLUS 9-speed automatic	180	£35,783.33	£42,940.00	£860.00	£44,595.00	£43,680.00	37%
	<b>C 300 e EQ Power</b> Petrol – 1,991 cc, 4-cylinder, 211 hp/155 kW Electric motor – 122 hp/90 kW	9G-TRONIC PLUS 9-speed automatic	37	£38,470.00	£46,164.00	£0.00	£46,959.00	£46,904.00	10%

<sup>1</sup>The indicated values were determined according to the prescribed measurement method – Worldwide Harmonised Light Vehicle Test Procedure (WLTP). Figures shown may include options which are not available in the UK.

<sup>\*</sup>Figures shown are for comparability purposes; only compare with other cars tested to the same technical procedures. Figures may not reflect real life driving results, which will depend upon a number of factors including factory-fitted options, accessories fitted (post registration), variations in weather, driving styles and vehicle load. Further information about the test used to establish fuel consumption and CO<sub>2</sub> figures can be found at <http://www.mercedes-benz.co.uk/WLTP>

<sup>2</sup>A different first year rate of Vehicle Excise Duty (Road Fund Licence) applies for new cars. Please refer to page 95 for the relevant rate for the second and subsequent years

<sup>3</sup>The recommended on-the-road price includes the Road Fund Licence applicable to the standard model plus delivery charge (£715.00 incl. VAT), new vehicle registration fee (£55.00) and number plates (£25.00 incl. VAT). VAT is calculated at the standard rate of 20%



Model line	Engine	Transmission	CO <sub>2</sub> WLTP <sup>1,*</sup>	Basic RRP excl. VAT	Total RRP incl. VAT	Road Fund Licence WLTP <sup>2</sup>	Rec. OTR price WLTP <sup>3</sup>	P11D value	BiK tax rate 2020/21
AMG Line Night Edition Premium Plus	<b>C 220 d</b> Diesel – 1,950 cc, 4-cylinder, 194 hp/143 kW	9G-TRONIC PLUS 9-speed automatic	149	£37,658.33	£45,190.00	£215.00	£46,200.00	£45,930.00	32%
	<b>C 300 d</b> Diesel – 1,950 cc, 4-cylinder, 245 hp/180 kW	9G-TRONIC PLUS 9-speed automatic	163	£39,116.67	£46,940.00	£540.00	£48,275.00	£47,680.00	35%
	<b>C 300 de EQ Power</b> Diesel – 1,950 cc, 4-cylinder, 194 hp/143 kW Electric motor – 122 hp/90 kW	9G-TRONIC PLUS 9-speed automatic	34	£42,341.67	£50,810.00	£0.00	£51,605.00	£51,550.00	10%
	<b>C 200</b> Petrol – 1,497 cc, 4-cylinder, 184 hp/135 kW EQ Boost – 14 hp/10 kW	9G-TRONIC PLUS 9-speed automatic	176	£35,566.67	£42,680.00	£860.00	£44,335.00	£43,420.00	37%
	<b>C 300</b> Petrol – 1,991 cc, 4-cylinder, 258 hp/190 kW EQ Boost – 14 hp/10 kW	9G-TRONIC PLUS 9-speed automatic	181	£37,866.67	£45,440.00	£860.00	£47,095.00	£46,180.00	37%
	<b>C 300 e EQ Power</b> Petrol – 1,991 cc, 4-cylinder, 211 hp/155 kW Electric motor – 122 hp/90 kW	9G-TRONIC PLUS 9-speed automatic	38	£39,807.50	£47,769.00	£0.00	£48,564.00	£48,509.00	10%

<sup>1</sup>The indicated values were determined according to the prescribed measurement method – Worldwide Harmonised Light Vehicle Test Procedure (WLTP). Figures shown may include options which are not available in the UK.

<sup>\*</sup>Figures shown are for comparability purposes; only compare with other cars tested to the same technical procedures. Figures may not reflect real life driving results, which will depend upon a number of factors including factory-fitted options, accessories fitted (post registration), variations in weather, driving styles and vehicle load. Further information about the test used to establish fuel consumption and CO<sub>2</sub> figures can be found at <http://www.mercedes-benz.co.uk/WLTP>

<sup>2</sup>A different first year rate of Vehicle Excise Duty (Road Fund Licence) applies for new cars. Please refer to page 95 for the relevant rate for the second and subsequent years

<sup>3</sup>The recommended on-the-road price includes the Road Fund Licence applicable to the standard model plus delivery charge (£715.00 incl. VAT), new vehicle registration fee (£55.00) and number plates (£25.00 incl. VAT). VAT is calculated at the standard rate of 20%



Model line	Engine	Transmission	CO <sub>2</sub> WLTP <sup>1,*</sup>	Basic RRP excl. VAT	Total RRP incl. VAT	Road Fund Licence WLTP <sup>2</sup>	Rec. OTR price WLTP <sup>3</sup>	P11D value	BiK tax rate 2020/21
<b>Mercedes-AMG Edition</b>	<b>AMG C43 4MATIC</b> Petrol – 2,996 cc, 6-cylinder, 390 hp/287 kW	9G-TRONIC PLUS 9-speed automatic	226	£41,662.50	£49,995.00	£1,850.00	£52,640.00	£50,735.00	37%
<b>Mercedes-AMG Edition Premium</b>	<b>AMG C43 4MATIC</b> Petrol – 2,996 cc, 6-cylinder, 390 hp/287 kW	9G-TRONIC PLUS 9-speed automatic	228	£43,329.17	£51,995.00	£1,850.00	£54,640.00	£52,735.00	37%
<b>Mercedes-AMG Edition Premium Plus</b>	<b>AMG C43 4MATIC</b> Petrol – 2,996 cc, 6-cylinder, 390 hp/287 kW	9G-TRONIC PLUS 9-speed automatic	230	£44,995.83	£53,995.00	£1,850.00	£56,640.00	£54,735.00	37%
<b>Mercedes-AMG</b>	<b>AMG C63 S</b> Petrol – 3,982 cc, 8-cylinder, 510 hp/375 kW	AMG SPEEDSHIFT MCT 9-speed auto.	251	£62,881.67	£75,458.00	£1,850.00	£78,103.00	£76,198.00	37%
<b>Mercedes-AMG Premium Plus</b>	<b>AMG C63 S</b> Petrol – 3,982 cc, 8-cylinder, 510 hp/375 kW	AMG SPEEDSHIFT MCT 9-speed auto.	253	£65,476.67	£78,572.00	£1,850.00	£81,217.00	£79,312.00	37%

<sup>1</sup>The indicated values were determined according to the prescribed measurement method – Worldwide Harmonised Light Vehicle Test Procedure (WLTP). Figures shown may include options which are not available in the UK.

<sup>\*</sup>Figures shown are for comparability purposes; only compare with other cars tested to the same technical procedures. Figures may not reflect real life driving results, which will depend upon a number of factors including factory-fitted options, accessories fitted (post registration), variations in weather, driving styles and vehicle load. Further information about the test used to establish fuel consumption and CO<sub>2</sub> figures can be found at <http://www.mercedes-benz.co.uk/WLTP>

<sup>2</sup>A different first year rate of Vehicle Excise Duty (Road Fund Licence) applies for new cars. Please refer to page 95 for the relevant rate for the second and subsequent years

<sup>3</sup>The recommended on-the-road price includes the Road Fund Licence applicable to the standard model plus delivery charge (£715.00 incl. VAT), new vehicle registration fee (£55.00) and number plates (£25.00 incl. VAT). VAT is calculated at the standard rate of 20%



## Pricing summary for model and equipment lines – Saloon

Model	Transmission	Recommended OTR price (£) <sup>1</sup>				
		SE	Sport Edition	AMG Line Edition	AMG Line Night Edition Premium	AMG Line Night Edition Premium Plus
<b>C 220 d</b>	9G-TRONIC PLUS 9-speed auto.	36,855.00	38,505.00	40,000.00	42,500.00	45,000.00
<b>C 300 d</b>	9G-TRONIC PLUS 9-speed auto.	-	-	41,055.00	43,880.00	46,380.00
<b>C 300 de EQ Power</b>	9G-TRONIC PLUS 9-speed auto.	-	43,015.00	44,510.00	47,905.00	50,405.00
<b>C 200</b>	9G-TRONIC PLUS 9-speed auto.	34,660.00	36,310.00	37,805.00	40,305.00	43,135.00
<b>C 300</b>	9G-TRONIC PLUS 9-speed auto.	-	-	40,565.00	43,065.00	45,895.00
<b>C 300 e EQ Power</b>	9G-TRONIC PLUS 9-speed auto.	-	40,869.00	42,364.00	45,759.00	47,364.00
		Mercedes-AMG Edition	Mercedes-AMG Edition Premium	Mercedes-AMG Edition Premium Plus	Mercedes-AMG	Mercedes-AMG Premium Plus
<b>Mercedes-AMG C 43 4MATIC</b>	9G-TRONIC PLUS 9-speed auto.	50,895.00	52,895.00	54,895.00	-	-
<b>Mercedes-AMG C 63 S</b>	AMG SPEEDSHIFT MCT 9-speed auto.	-	-	-	76,903.00	80,017.00

<sup>1</sup>The recommended on-the-road price includes the Road Fund Licence applicable to the standard model plus delivery charge (£715.00 incl. VAT), new vehicle registration fee (£55.00) and number plates (£25.00 incl. VAT). VAT is calculated at the standard rate of 20%





## Pricing summary for model and equipment lines – Estate

Model	Transmission	Recommended OTR price (£) <sup>1</sup>				
		Sport Edition	AMG Line Edition	AMG Line Night Edition Premium	AMG Line Edition Night Premium Plus	
<b>C 220 d</b>	9G-TRONIC PLUS 9-speed auto.	39,705.00	41,200.00	43,700.00	46,200.00	
<b>C 300 d</b>	9G-TRONIC PLUS 9-speed auto.	-	44,180.00	46,680.00	49,180.00	
<b>C 300 de EQ Power</b>	9G-TRONIC PLUS 9-speed auto.	44,215.00	45,710.00	49,105.00	51,605.00	
<b>C 200</b>	9G-TRONIC PLUS 9-speed auto.	37,510.00	39,005.00	41,835.00	44,335.00	
<b>C 300</b>	9G-TRONIC PLUS 9-speed auto.	-	41,765.00	44,595.00	47,095.00	
<b>C 300 e EQ Power</b>	9G-TRONIC PLUS 9-speed auto.	42,069.00	43,564.00	46,959.00	48,564.00	
		Mercedes-AMG Edition	Mercedes-AMG Edition Premium	Mercedes-AMG Edition Premium Plus	Mercedes-AMG	Mercedes-AMG Premium Plus
<b>Mercedes-AMG C 43 4MATIC</b>	9G-TRONIC PLUS 9-speed auto.	52,640.00	54,640.00	56,640.00	-	-
<b>Mercedes-AMG C 63 S</b>	AMG SPEEDSHIFT MCT 9-speed auto.	-	-	-	78,103.00	81,217.00

<sup>1</sup>The recommended on-the-road price includes the Road Fund Licence applicable to the standard model plus delivery charge (£715.00 incl. VAT), new vehicle registration fee (£55.00) and number plates (£25.00 incl. VAT). VAT is calculated at the standard rate of 20%

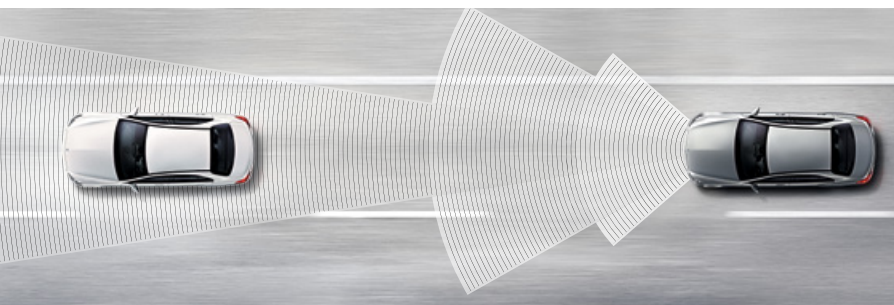


# Driving Assistance package

The Driving Assistance package contains a range of highly intelligent features to help you stay safe on the road – by making the drive more effortless, by warning of danger, and by taking steps to protect you in an emergency.

**Driving Assistance package** (code 23P) – designed and priced as a package, including items as listed.

**AMG Line Night Editions,<sup>1</sup> Mercedes-AMG C43 4MATIC Edition and Mercedes-AMG C63 S** **Total incl. VAT £1,695.00**



DISTRONIC PLUS

## Driving Assistance package (code 23P)

### Active Blind Spot Assist

Active Blind Spot Assist can warn the driver of vehicles in the blind spot during a lane change and can help to avoid a collision by means of one-sided braking intervention. Also includes traffic-jam-end convenience braking (route based speed adaption with Live Traffic)

### Active Braking Assist with cross-traffic function and tailback emergency braking function

Can help to avoid accidents with vehicles ahead, crossing traffic and also pedestrians, and/or mitigate their consequences

### Active Distance Assist DISTRONIC – Active Steering Assist – Active Speed Limit Assist

DISTRONIC proximity control helps maintain the desired distance from another vehicle in front. Active Steering Assist provides targeted steering intervention to prevent unintentional drifting out of lane. Active Speed Limit Assist<sup>1</sup> ensures detected speed limits are automatically adopted as the set speed for Active Distance Assist DISTRONIC

### Active Lane Keeping Assist

Active Lane Keeping Assist can warn drivers when they unintentionally leave their lane and can use one-sided braking intervention to help manoeuvre the vehicle back into its lane (including, in the case of broken lane markings, if there is a risk of collision)

### Evasive Steering Assist

Evasive Steering Assist can support the driver in making evasive manoeuvres if, in a dangerous situation, he/she moves to avoid any pedestrian detected by the system

### Intelligent Drive Online Services

Increased accuracy of interventions/warnings by the Active Brake Assist System

### Route-based speed adaptation

Adaption of speed before curves, roundabouts, junctions, toll roads. Allows for smoother and more accurate functionality of several driving assistant systems

### PRE-SAFE PLUS

When a rear-end collision threatens, PRE-SAFE PLUS can initiate preventive measures to protect the occupants, including warning following traffic and locking the brakes on standstill

<sup>1</sup>Only available in conjunction with Premium or Premium Plus model lines



Book a test drive

- > Saloon
- > Estate
- > AMG



> Find a Retailer

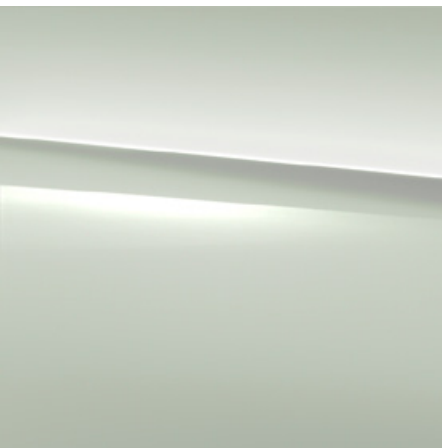
## Colours and materials



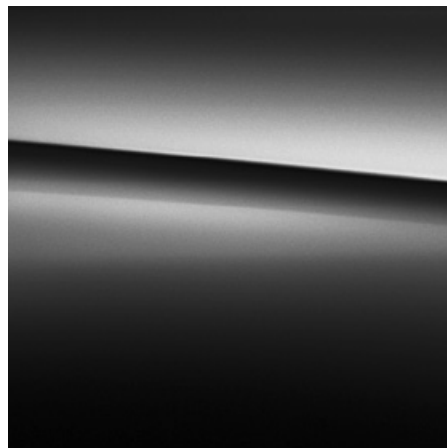


# Non-metallic and metallic paints (standard and optional)

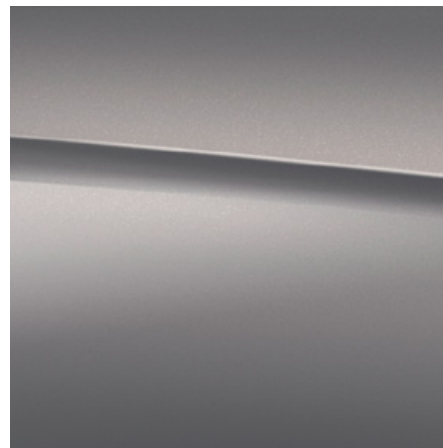
Total prices incl. VAT



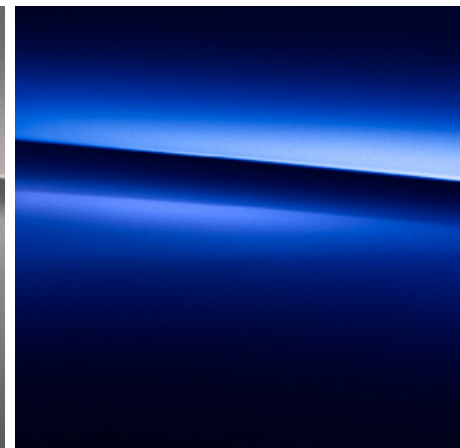
149 polar white **standard**



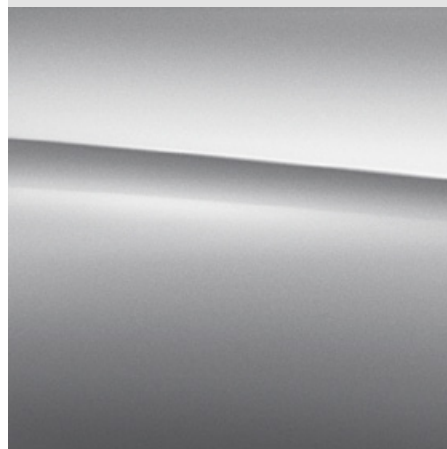
197 obsidian black **£685.00**



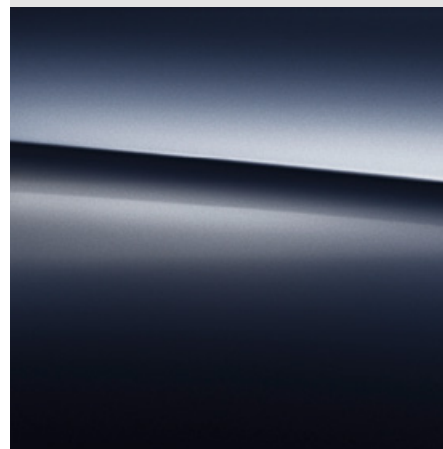
859 mojave silver metallic **£685.00**



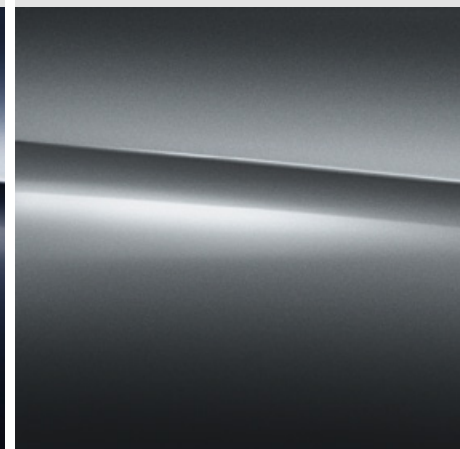
896 brilliant blue **£685.00**



775 iridium silver metallic **£685.00**



890 cavansite blue<sup>1</sup> **£685.00**



992 selenite grey **£685.00**

<sup>1</sup>Not available on Mercedes-AMG C 63 S. Please note that, owing to limitations of on-screen representation, paint colours may differ from those shown



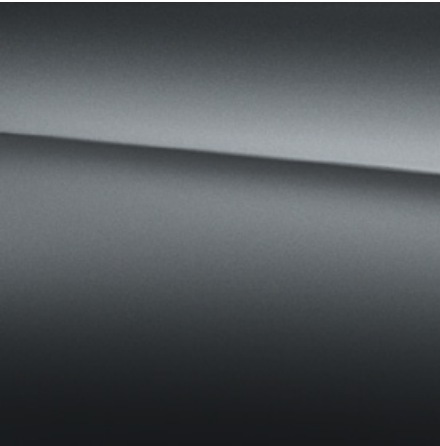
- Book a test drive
- > Saloon
- > Estate
- > AMG



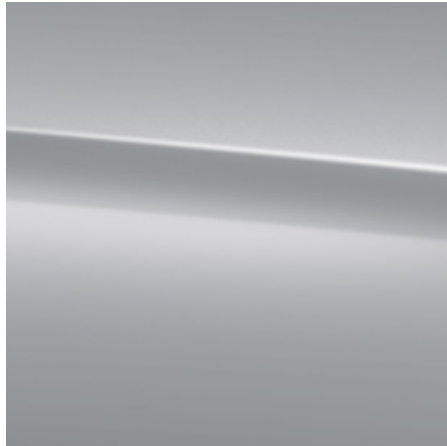
> Find a Retailer

# Special metallic paints (additional-cost option)

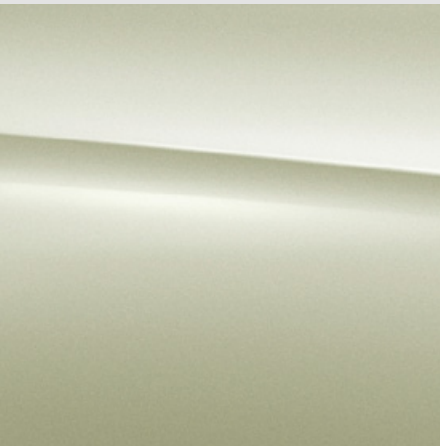
Total prices incl. VAT



297 designo selenite grey magno<sup>1</sup> **£1,795.00**



982 designo iridium silver magno<sup>1</sup> **£1,795.00**



799 designo diamond white **895.00**



996 designo hyacinth red<sup>2</sup> **£895.00**

<sup>1</sup>Only available on Mercedes-AMG C 63 S Estate models <sup>2</sup>Not available on Mercedes-AMG C 63 S Please note that, owing to limitations of on-screen representation, paint colours may differ from those shown



Book a test drive

> Saloon

> Estate

> AMG



> Find a Retailer

# Trim



H80 high-gloss black

SE	●
Sport Edition	-
AMG Line Edition	-
AMG Line Night Edition Premium/Plus	-
Mercedes-AMG C 43 4MATIC	-
Mercedes-AMG C 43 4MATIC Premium/Plus	-
Mercedes-AMG C 63 S/Premium Plus	-



739 high-gloss black/aluminium

SE	-
Sport Edition	●
AMG Line Edition	-
AMG Line Night Edition Premium/Plus	-
Mercedes-AMG C 43 4MATIC Edition/Premium	-
Mercedes-AMG C 43 4MATIC Edition Premium Plus	-
Mercedes-AMG C 63 S/Premium Plus	-



736 open-pore black ash

SE	-
Sport Edition	-
AMG Line Edition	-
AMG Line Night Edition Premium/Plus	●
Mercedes-AMG C 43 4MATIC Edition/Premium	●
Mercedes-AMG C 43 4MATIC Edition Premium Plus	●
Mercedes-AMG C 63 S/Premium Plus	-



Book a test drive

- > Saloon
- > Estate
- > AMG



> Find a Retailer



H31 open-pore grey oak

SE	-
Sport Edition	-
AMG Line Edition	●
AMG Line Night Edition Premium/Plus	-
Mercedes-AMG C 43 4MATIC Edition/Premium	-
Mercedes-AMG C 43 4MATIC Edition Premium Plus	-
Mercedes-AMG C 63 S/Premium Plus	●



H73 AMG carbon fibre/aluminium

SE	-
Sport Edition	-
AMG Line Edition	-
AMG Line Night Edition Premium/Plus	-
Mercedes-AMG C 43 4MATIC Edition/Premium	-
Mercedes-AMG C 43 4MATIC Edition Premium Plus	-
Mercedes-AMG C 63 S/Premium Plus	○



# Upholstery



131A ARTICO man-made leather – black

SE	●
Sport Edition	–
AMG Line Edition	–
AMG Line Night Edition Premium/Plus	–
Mercedes-AMG C 43 4MATIC Edition/Premium	–
Mercedes-AMG C 43 4MATIC Edition Premium Plus	–
Mercedes-AMG C 63 S/Premium Plus	–



201A Leather<sup>1</sup> – black

SE	–
Sport Edition	●
AMG Line Edition	–
AMG Line Night Edition Premium/Plus	–
Mercedes-AMG C 43 4MATIC Edition/Premium	–
Mercedes-AMG C 43 4MATIC Edition Premium Plus	–
Mercedes-AMG C 63 S/Premium Plus	–

● Standard    – Not available    <sup>1</sup>At least 80% of the seat upholstery is pure leather, while up to 20% may consist of man-made leather





215A Leather<sup>1</sup> – silk beige

SE	–
Sport Edition	○
AMG Line Edition	–
AMG Line Night Edition Premium/Plus	–
Mercedes-AMG C 43 4MATIC Edition/Premium	–
Mercedes-AMG C 43 4MATIC Edition Premium Plus	–
Mercedes-AMG C 63 S/Premium Plus	–



241A Leather<sup>1</sup> – black with red stitching<sup>2</sup>

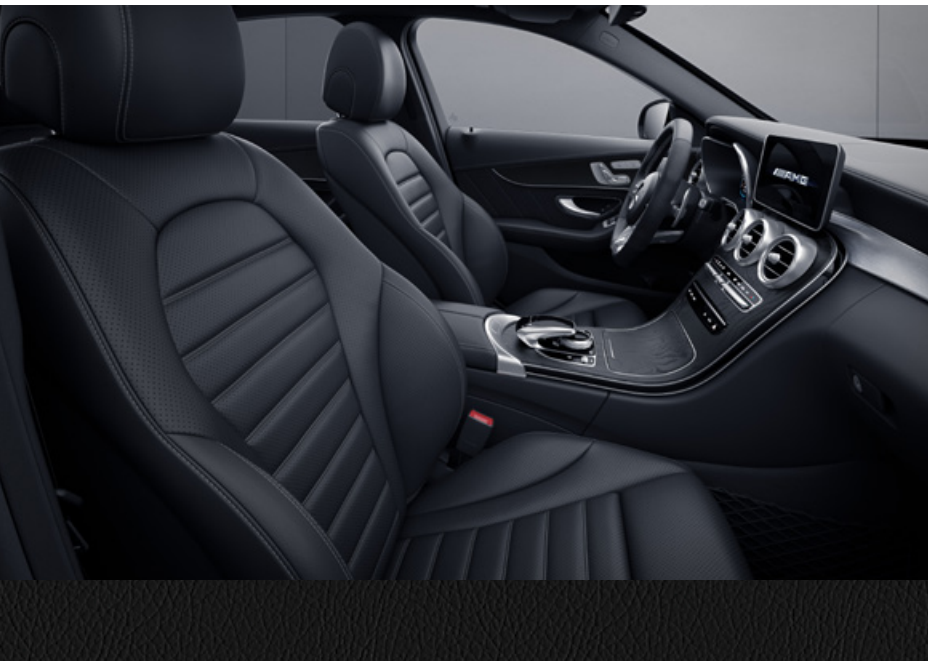
SE	–
Sport Edition	–
AMG Line Edition	–
AMG Line Night Edition Premium/Plus	–
Mercedes-AMG C 43 4MATIC Edition/Premium	○
Mercedes-AMG C 43 4MATIC Edition Premium Plus	○
Mercedes-AMG C 63 S/Premium Plus	–



Book a test drive > Saloon  
 > Estate  
 > AMG



> Find a Retailer



251A Leather<sup>1</sup> – black

SE	-
Sport Edition	-
AMG Line Edition	●
AMG Line Night Edition Premium/Plus	●
Mercedes-AMG C 43 4MATIC Edition/Premium	●
Mercedes-AMG C 43 4MATIC Edition Premium Plus	●
Mercedes-AMG C 63 S/Premium Plus	-



264A Leather<sup>1</sup> – saddle brown

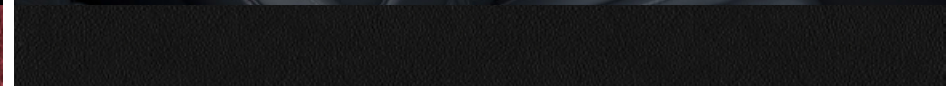
SE	-
Sport Edition	-
AMG Line Edition	○
AMG Line Night Edition Premium/Plus	-
Mercedes-AMG C 43 4MATIC Edition/Premium	○
Mercedes-AMG C 43 4MATIC Edition Premium Plus	○
Mercedes-AMG C 63 S/Premium Plus	-

● Standard ○ No-cost option - Not available <sup>1</sup>At least 80% of the seat upholstery is pure leather, while up to 20% may consist of man-made leather



267A Leather<sup>1</sup> – cranberry red

SE	-
Sport Edition	-
AMG Line Edition	○
AMG Line Night Edition Premium/Plus	-
Mercedes-AMG C 43 4MATIC Edition/Premium	○
Mercedes-AMG C 43 4MATIC Edition Premium Plus	○
Mercedes-AMG C 63 S/Premium Plus	-



801A/811A Nappa leather<sup>2</sup> – black

SE	-
Sport Edition	-
AMG Line Edition	-
AMG Line Night Edition Premium/Plus	-
Mercedes-AMG C 43 4MATIC Edition/Premium	-
Mercedes-AMG C 43 4MATIC Edition Premium Plus	-
Mercedes-AMG C 63 S/Premium Plus	●



851A Nappa leather<sup>1</sup> – two-tone platinum white/black

SE	-
Sport Edition	-
AMG Line Edition	-
AMG Line Night Edition Premium/Plus	-
Mercedes-AMG C 43 4MATIC Edition/Premium	-
Mercedes-AMG C 43 4MATIC Edition Premium Plus	-
Mercedes-AMG C 63 S/Premium Plus	○



857A Nappa leather<sup>1</sup> – two-tone red pepper/black

SE	-
Sport Edition	-
AMG Line Edition	-
AMG Line Night Edition Premium/Plus	-
Mercedes-AMG C 43 4MATIC Edition/Premium	-
Mercedes-AMG C 43 4MATIC Edition Premium Plus	-
Mercedes-AMG C 63 S/Premium Plus	○



Book a test drive

> Saloon

> Estate

> AMG



> Find a Retailer

# Wheels



**R62** 17" aero 5-twin-spoke alloy wheels (4) – painted high-gloss black with a high-sheen finish  
225/50 tyre



**R87** 18" aero 5-twin-spoke alloy wheels (4) – painted high-gloss black with a high-sheen finish  
225/45 tyres



**RSJ** 18" AMG aero 5-twin-spoke alloy wheels (4) – tremolite grey  
front: 225/45 tyres; rear: 245/40 tyres

SE	●
Sport Edition	-
AMG Line	-
AMG Line Night Edition Premium/Plus	-
Mercedes-AMG C 43 4MATIC Edition	-
Mercedes-AMG C 43 4MATIC Edition Premium/Plus	-
Mercedes-AMG C 63 S/PremiumPlus	-
<b>Total RRP incl. VAT (£)</b>	-
excl. VAT (£)	-

SE	-
Sport Edition	●
AMG Line	-
AMG Line Night Edition Premium/Plus	-
Mercedes-AMG C 43 4MATIC Edition	-
Mercedes-AMG C 43 4MATIC Edition Premium/Plus	-
Mercedes-AMG C 63 S/PremiumPlus	-
<b>Total RRP incl. VAT (£)</b>	-
excl. VAT (£)	-

SE	-
Sport Edition	-
AMG Line	●
AMG Line Night Edition Premium/Plus	-
Mercedes-AMG C 43 4MATIC Edition	●
Mercedes-AMG C 43 4MATIC Edition Premium/Plus	-
Mercedes-AMG C 63 S/PremiumPlus	-
<b>Total RRP incl. VAT (£)</b>	-
excl. VAT (£)	-



Book a test drive

> Saloon

> Estate

> AMG



> Find a Retailer



**RVC** 19" AMG alloy wheels (4) – multi-spoke design, painted black  
front: 225/40 tyres; rear: 255/35 tyres



**RSK** 18" AMG alloy wheels (4) – 5-twin-spoke design, aerodynamically optimised, painted in high-gloss black with a high-sheen finish<sup>1</sup>  
front: 225/45 tyres; rear: 245/40 tyres



**RSV** 19" AMG alloy wheels (4) – 5-twin-spoke design, aerodynamically optimised, painted high-gloss black with a high-sheen finish  
front: 225/40 tyres; rear: 255/35 tyres

SE	-
Sport Edition	-
AMG Line	-
AMG Line Night Edition Premium/Plus	●
Mercedes-AMG C 43 4MATIC Edition	-
Mercedes-AMG C 43 4MATIC Edition Premium/Plus	-
Mercedes-AMG C 63 S/PremiumPlus	-
<b>Total RRP incl. VAT (£)</b>	-
excl. VAT (£)	-

SE	-
Sport Edition	-
AMG Line	-
AMG Line Night Edition Premium/Plus (hybrid)	●
Mercedes-AMG C 43 4MATIC Edition	-
Mercedes-AMG C 43 4MATIC Edition Premium/Plus	-
Mercedes-AMG C 63 S/PremiumPlus	-
<b>Total RRP incl. VAT (£)</b>	-
excl. VAT (£)	-

SE	-
Sport Edition	-
AMG Line	-
AMG Line Night Edition Premium/Plus	-
Mercedes-AMG C 43 4MATIC Edition	-
Mercedes-AMG C 43 4MATIC Edition Premium/Plus	●
Mercedes-AMG C 63 S/PremiumPlus	-
<b>Total RRP incl. VAT (£)</b>	-
excl. VAT (£)	-

● Standard - Not available <sup>1</sup>C 300 e and C 300 de Night Edition models available with RSK wheels only



Book a test drive

> Saloon

> Estate

> AMG



> Find a Retailer



**RSW** 19"/20" AMG alloy wheels – 5-twin-spoke design, aerodynamically optimised, painted tantalite grey with a high-sheen finish  
front: 245/35 tyres; rear: 265/35 tyres  
With red brake calipers

SE	-
Sport Edition	-
AMG Line	-
AMG Line Night Edition Premium/Plus	-
Mercedes-AMG C 43 4MATIC Edition	-
Mercedes-AMG C 43 4MATIC Edition Premium/Plus	-
Mercedes-AMG C 63 S/PremiumPlus	●
<b>Total RRP incl. VAT (£)</b>	-
excl. VAT (£)	-



**770** 19" AMG alloy wheels (4) – forged cross-spoke design, painted titanium grey with a high-sheen finish  
front: 245/40 tyres; rear: 265/35 tyres  
With red brake calipers on Mercedes-AMG C 63 S only

SE	-
Sport Edition	-
AMG Line	-
AMG Line Night Edition Premium/Plus	-
Mercedes-AMG C 43 4MATIC Edition	-
Mercedes-AMG C 43 4MATIC Edition Premium/Plus	-
Mercedes-AMG C 63 S/PremiumPlus	○
<b>Total RRP incl. VAT (£)</b>	£2,250.00
excl. VAT (£)	£1,875.00



**662** 19" AMG alloy wheels (4) – forged cross-spoke design, painted matt black  
front: 245/35 tyres; rear: 265/35 tyres  
With red brake calipers on Mercedes-AMG C 63 S only

SE	-
Sport Edition	-
AMG Line	-
AMG Line Night Edition Premium/Plus	-
Mercedes-AMG C 43 4MATIC Edition	-
Mercedes-AMG C 43 4MATIC Edition Premium/Plus	-
Mercedes-AMG C 63 S/PremiumPlus	○
<b>Total RRP incl. VAT (£)</b>	£1,735.00
excl. VAT (£)	£1,445.83



# Standard equipment

Item	SE	Sport Edition	AMG Line Edition	AMG Line Night Ed.	Premium Plus
<b>Engine, Transmission and Suspension</b>					
1×3 pin domestic charging cable, 8 m, straight (hybrid models only)	-	●	●	●	●
1× type 2, 3 phase wall box cable, 8 m, straight (hybrid models only)	-	●	●	●	●
9G-TRONIC PLUS 9-speed automatic transmission	●	●	●	●	●
AGILITY CONTROL comfort suspension	●	-	-	-	-
AGILITY CONTROL comfort suspension – lowered by 15 mm	-	●	-	-	-
AGILITY CONTROL sports suspension – lowered by 15 mm	-	-	●	●	●
Driving modes – DYNAMIC SELECT with a choice of driving modes (Comfort, ECO, Sport, Sport+, Individual)	●	●	●	●	●
<b>Exterior</b>					
Mirror package – electrically-folding mirrors and automatically dimming-exterior driver’s mirror and rear-view mirror	●	●	●	●	●
Night package – radiator grille louvre painted in high gloss black, AMG front apron trim in high gloss black, rear bumper trim in high gloss black, high gloss black trim strip in sill panels, Beltline trim strip and window weatherstrip in high-gloss black, exterior mirror housings in high-gloss black, heat insulated dark-tinted glass in rear, roof rails in black (Estate only)	-	-	-	●	●
360° camera	-	-	-	-	●
AMG bodystyling – front apron, rear apron, and side skirts	-	-	●	●	●

Item	SE	Sport Edition	AMG Line Edition	AMG Line Night Ed.	Premium Plus
Brake calipers – with ‘Mercedes-Benz’ lettering and perforated front brake discs	-	-	●	-	-
EASY PACK automatic powered tailgate (Estate only)	●	●	●	●	●
EQ badge (hybrid vehicles only)	-	●	●	●	●
Exterior mirrors – heated and electronically adjustable	●	●	●	●	●
Fuel tank – 66 litres	●	●	●	●	●
Headlamps – halogen with integral LED daytime running lamps	●	-	-	-	-
Headlamps – MULTIBEAM LED	-	●	●	●	●
Radiator grille – diamond grille with integrated star and chrome pins	-	-	●	●	●
Radiator grille – integrated star and two louvres in matt iridium silver	●	-	-	-	-
Radiator grille – integrated star and two louvres in matt iridium silver with chrome trim	-	●	-	-	-
Rain-sensing windscreen wipers	●	●	●	●	●
Reversing camera	●	●	●	●	●
Roof rails – black (Estate only)	●	-	-	-	-
Roof rails – chrome (Estate only)	-	●	●	●	●





Standard equipment

Item	SE	Sport Edition	AMG Line Edition	AMG Line Night Ed. Premium	AMG Line Night Ed. Premium Plus
<b>Interior</b>					
Tail lamps – full LED	-	●	●	●	●
Tail lamps – partial LED	●	-	-	-	-
Tinted glass all round – green	●	●	●	●	●
Top surround of side windows in matt black	●	-	-	-	-
Top surround of side windows in polished aluminium	-	●	●	●	●
Visible twin-pipe exhaust trim integrated into rear bumper	-	-	●	●	●
Interior Lighting package – lighting of footwells, door handle recesses, as well as rear reading lights (LED) and courtesy lights in all doors	●	●	●	●	●
KEYLESS-GO Comfort package	-	-	-	-	●
Memory package – driver’s seat, front passenger seat, steering column and exterior mirrors; electrically adjustable with memory	-	-	-	●	●
Seat Comfort package – driver and front passenger seat, electro-pneumatic four-way lumbar support, manual seat cushion depth adjustment (6 cm)	●	●	●	●	●
Stowage package – including luggage net in boot and folding box under luggage compartment floor	●	●	●	●	●
12.3" digital instrument display	-	-	●	●	●
Ambient lighting – 64-colour ambient lighting: dynamic multicolour LED lighting of trim on dashboard, centre console, and front and rear door panelling; in front and rear door pockets, cup holder and stowage compartment, rear footwell and rear door handle recesses	-	-	-	●	●

Item	SE	Sport Edition	AMG Line Edition	AMG Line Night Ed. Premium	AMG Line Night Ed. Premium Plus
Automatically-dimming rear view mirror and driver’s exterior mirror	●	●	●	●	●
Electric windows (4) – one-touch opening and closing, including obstruction sensors	●	●	●	●	●
Electronic key – chrome surround	●	●	●	●	●
Floor mats – black	●	●	-	-	-
Floor mats – black with ‘AMG’ lettering	-	-	●	●	●
Front door sill panels with ‘Mercedes-Benz’ lettering	●	●	●	●	●
Gearshift paddle on steering wheel	●	●	●	●	●
Instrument cluster with two tube-design round dials and 5.5-inch TFT multifunction display	●	●	-	-	-
Load compartment cover (Estate only)	●	●	●	●	●
Outside temperature display	●	●	●	●	●
Seats – AMG sports seats	-	-	●	●	●
Seats – front, heated	●	●	●	●	●
Seats – front, with electrical height and back, and four-way lumbar adjustment	●	●	●	●	●
Seats – rear, split folding 40:20:40	●	●	●	●	●
Seat belts – black	●	●	●	●	●
Sports pedals in brushed stainless steel with rubber studs	-	-	●	●	●



Item	SE	Sport Edition	AMG Line Edition	AMG Line Night Ed. Premium	AMG Line Night Ed. Premium Plus
<b>Interior (continued)</b>					
Steering wheel – 3-spoke multifunction steering wheel, trimmed in leather with perforated leather in grip area	●	-	-	-	-
Steering wheel – 3-spoke multifunction steering wheel in leather with trim in silver chrome and perforated leather in grip area	-	●	-	-	-
Steering wheel – 3-spoke multifunction AMG steering wheel in black nappa leather with flattened bottom section, chrome inserts and perforated leather in grip area	-	-	●	●	●
Steering wheel – multifunction with audio and onboard settings control	●	●	●	●	●
Stowage – double cupholder in centre console	●	●	●	●	●
Stowage – front centre armrest with stowage compartment	●	●	●	●	●
Stowage – illuminated glove compartment	●	●	●	●	●
Sun visors with illuminated vanity mirrors	-	●	●	●	●
THERMATIC – automatic climate control, two-zone	●	●	●	●	●

Item

Steering

Item	SE	Sport Edition	AMG Line Edition	AMG Line Night Ed. Premium	AMG Line Night Ed. Premium Plus
Steering column – manually adjustable for height and reach	●	●	●	●	●
Steering – Direct-Steer speed sensitive steering	●	●	-	-	-
Steering – Sports Direct-Steer system with speed sensitive steering	-	-	●	●	●

Paint, Trim and Upholstery

Paint – non-metallic	●	●	●	●	●
Trim – ARTICO man-made leather dashboard with contrast stitching	-	-	-	●	●
Trim – open-pore black ash	-	-	-	●	●
Trim – open-pore grey oak	-	-	●	-	-
Trim – high-gloss black	●	-	-	-	-
Trim – high-gloss black with aluminium door trims	-	●	-	-	-
Upholstery – ARTICO man-made leather	●	-	-	-	-
Upholstery – leather	-	●	●	●	●



Standard equipment

Item	SE	Sport Edition	AMG Line Edition	AMG Line Night Ed. Premium	AMG Line Night Ed. Premium Plus
<b>Safety and Assistance Systems</b>					
Active bonnet – pedestrian safety measure which detects an impact and raises bonnet	●	●	●	●	●
Adaptive Brake Assist with HOLD function and brake-drying function	●	●	●	●	●
Adaptive brake lamps	●	●	●	●	●
Alarm system with immobiliser and interior protection	●	●	●	●	●
Anti-lock braking system (ABS)	●	●	●	●	●
ATTENTION ASSIST – can help alert to long journey fatigue	●	●	●	●	●
Automatic child seat recognition sensor	●	●	●	●	●
Central locking with interior switch, automatic locking and crash sensor with emergency opening function	●	●	●	●	●
Childproof locks – manually-operated for rear doors and electrically-operated for rear power windows	●	●	●	●	●
COLLISION PREVENTION ASSIST PLUS	●	●	●	●	●
Diesel particulate filter (DPF) – all diesel engines	●	●	●	●	●
Dual-stage airbags – driver and front passenger; sidebags in front seats; driver kneebag; pelvis bag and windowbags for driver, front passenger and rear passengers	●	●	●	●	●

Item	SE	Sport Edition	AMG Line Edition	AMG Line Night Ed. Premium	AMG Line Night Ed. Premium Plus
Electric parking brake	●	●	●	●	●
Electronic Stability Programme (ESP)	●	●	●	●	●
First-aid kit and warning triangle	●	●	●	●	●
ISOFIX child seat attachment points with top tether in rear	●	●	●	●	●
Parking Assist including PARKTRONIC – visual and audible warning of detected obstacles based on distance and position and on detecting crossing traffic when reversing out of a parking space. System is able to briefly limit the moving-off speed when an obstacle is detected in the direction of travel	●	●	●	●	●
Petrol particulate filter (PPF) – all petrol engines	●	●	●	●	●
Remote boot release	●	●	●	●	●
Service indicator ASSYST	●	●	●	●	●
Status display in instrument cluster for rear seat belts	●	●	●	●	●
SPEEDTRONIC cruise control with variable speed limiter	●	●	●	●	●
TIREFIT with tyre inflation compressor	●	●	●	●	●
Tyre pressure monitoring system	●	●	●	●	●

● Standard – Not available

<sup>1</sup>COMAND Online functionality and Wi-Fi connectivity is dependent on a compatible cellular data connection. Please check with your local Mercedes-Benz Retailer on network compatibility



Item	SE	Sport Edition	AMG Line Edition	AMG Line Night Ed. Premium	AMG Line Night Ed. Premium Plus
<b>Communication and In-Car Entertainment</b>					
Audio 20 with integrated Media Interface and Bluetooth interface with hands-free function	●	●	●	-	-
Burmester sound system – 13 high performance speakers, 9 channel DSP amplifier with output of 590W, Frontbass technology and virtual surround sound	-	-	-	-	●
COMAND Online system with touchpad <sup>1</sup> – online functions, navigation: hard disk navigation with high-quality topographic map display including 3D places of interest and city models. Latest map data thanks to 3 years of free map updates (from date of initial registration, vehicle-specific). Display of satellite maps (requires a Bluetooth-connected mobile phone). Car-to-X communication. Three years Live Traffic Information service for optimised dynamic route guidance and more precisely-estimated time of arrival (country-specific). LINGUATRONIC voice control system, two USB ports and one SD card slot in the centre console	-	-	-	●	●
DAB digital radio tuner	●	●	●	●	●
High-resolution 7-inch multimedia colour display	-	-	-	-	-
High-resolution 10.25-inch multimedia colour display	●	●	●	●	●
MB SD card-based navigation system – operation via controller or voice control. SD card navigation with instructions shown on 10.25-inch high-resolution colour display and in the instrument cluster. Includes 3D views with visualisation of roads and buildings as well as junction and lane assistants, making it easy for drivers to orientate themselves. Spoken instructions are emitted through vehicle's built-in speakers. Live software updates via 4G SIM	●	●	●	-	-

Item	SE	Sport Edition	AMG Line Edition	AMG Line Night Ed. Premium	AMG Line Night Ed. Premium Plus
Mercedes me connect (Vehicle Set-up and Vehicle Monitoring) – onboard use of remote and location services, e.g. geographic vehicle monitoring, vehicle location, remote door locking and unlocking, remote interrogation of vehicle status. Remote Online subscription services are limited to three years from initial registration, and can be extended at additional cost	●	●	●	●	●
Mercedes-Benz sound system – four mid-range speakers, two tweeters, two Frontbass speakers, one centre speaker, 225W amplifier output	-	-	-	●	-
Radio aerial integrated into rear window	●	●	●	●	●
Smartphone integration	-	-	-	●	●
Speakers with Frontbass	●	●	●	●	●
Two USB ports and an SD card slot in centre console	●	●	●	●	●
Wireless charging surface integrated into quick stowage tray in front of centre console. Quick establishment of connection between multimedia system and mobile phone via Near Field Communication (NFC)	-	-	-	●	●



# AMG standard equipment

Item	C43 4MATIC Edition	C43 4MATIC Edition Premium	C43 4MATIC Edition Premium Plus	C63 S	C63 S Premium Plus
<b>Engine, Transmission and Suspension</b>					
AMG Driver's package – includes an increase to your vehicle's electronically limited top speed (174 mph)	-	-	-	●	●
9G-TRONIC PLUS 9-speed automatic transmission	●	●	●	-	-
AMG electronic rear axle differential lock	-	-	-	●	●
AMG RIDE CONTROL sports suspension	●	●	●	●	●
AMG SPEEDSHIFT MCT 9-speed automatic sports transmission, steering wheel gearshift paddles, SPEEDTRONIC cruise control and RACE START function	-	-	-	●	●
Driving modes – AMG DYNAMIC SELECT with a choice of AMG-specific driving modes (Comfort, Sport, Sport+, Individual and Race modes for the Mercedes-AMG C 63 S)	-	-	-	●	●
Driving modes – DYNAMIC SELECT with a choice of driving modes (Comfort, ECO, Sport, Sport+, Individual)	●	●	●	-	-
<b>Exterior</b>					
Mirror package – electrically-folding mirrors and automatically dimming-exterior driver's mirror and rear-view mirror	●	●	●	●	●
360° camera	-	-	●	-	●
AMG bodystyling – front apron, rear apron, and side skirts	●	●	●	-	-
AMG bonnet with powerdomes	-	-	-	●	●
AMG boot lid spoiler in body colour	●	●	●	●	●

Item	C43 4MATIC Edition	C43 4MATIC Edition Premium	C43 4MATIC Edition Premium Plus	C63 S	C63 S Premium Plus
AMG front apron with A-wing in high-gloss black	-	-	-	●	●
AMG Performance exhaust system	●	●	●	●	●
AMG rear apron with four diffuser fins with diffuser board plus trim strip painted matt iridium silver	-	-	-	●	●
AMG side sill panels with silver chrome inserts	-	-	-	●	●
'BITURBO 4MATIC' lettering on front wings	●	●	●	-	-
Brake calipers – with 'AMG' lettering and perforated front brake discs	●	●	●	-	-
Brake calipers – red with 'AMG' lettering	-	-	-	●	●
EASY PACK automatic powered tailgate (Estate only)	●	●	●	●	●
Exterior mirrors – heated and electronically adjustable	●	●	●	●	●
Flared AMG wings with 'V8 BITURBO' lettering in the front	-	-	-	●	●
Fuel tank – 66-litre	●	●	●	●	●
MULTIBEAM LED	●	●	●	●	●
Panoramic electric glass sunroof	-	-	●	-	●
Petrol Particulate Filter (PPF) - all petrol engines	●	●	●	●	●
Radiator grille – AMG design with double louvre in matt iridium silver and 'AMG' lettering	●	●	●	-	-
Radiator grille – AMG-specific radiator grille in high-sheen chrome with 'AMG' lettering	-	-	-	●	●



AMG standard equipment

Item	C43 4MATIC Edition	C43 4MATIC Edition Premium	C43 4MATIC Edition Premium Plus	C63 S	C63 S Premium Plus
<b>Exterior (continued)</b>					
Rain-sensing windscreen wipers	●	●	●	●	●
Reversing camera	●	●	●	●	●
Roof rails – chrome (Estate only)	●	●	●	●	●
Spoiler lip on the boot lid in the vehicle colour (Saloon only)	-	-	-	●	●
Sports exhaust system	●	●	●	-	-
Tail lamps – full LED	●	●	●	●	●
Tinted glass all round – green	●	●	●	●	●
Top surround of side windows in matt black	●	●	●	-	-
Top surround of side windows in polished aluminium	-	-	-	●	●
Two tailpipe trim elements in twin-tailpipe design integrated into rear bumper	●	●	●	-	-
<b>Interior</b>					
Interior Lighting package – lighting of footwells, door handle recesses, as well as rear reading lights (LED) and courtesy lights in all doors	●	●	●	●	●
KEYLESS-GO Comfort package	-	-	●	-	●
Memory package – driver’s seat, front passenger seat, steering column and exterior mirrors – electrically adjustable with memory	-	●	●	●	●
Stowage package – including luggage net in boot and folding box under luggage compartment floor	●	●	●	●	●
12.3" digital instrument display (with AMG-specific selectable display “Supersport” for C 63 S)	●	●	●	●	●

● Standard - Not available

Item	C43 4MATIC Edition	C43 4MATIC Edition Premium	C43 4MATIC Edition Premium Plus	C63 S	C63 S Premium Plus
Ambient lighting – 64-colour ambient lighting – dynamic multicolour LED lighting of trim on dashboard, centre console, and front and rear door panelling; in front and rear door pockets, cup holder and stowage compartment, rear footwell and rear door handle recesses	-	●	●	●	●
Automatically dimming rear view mirror and driver’s exterior mirror	●	●	●	●	●
“AMG” emblem in the front head restraints	-	-	-	●	●
AMG Performance seats – cushion depth adjustment, pneumatically adjustable seat side bolsters and steep seat angle and optimum lateral support for dynamic driving. Mercedes-AMG C 43 4MATIC: only available with standard interior (code 641A) or with leather upholstery (code 241A) in conjunction with Memory package (code 275)	-	-	-	●	●
AMG Performance steering wheel in nappa leather /DINAMICA microfibre – sporty 3-spoke design with flattened lower section, 12 o'clock marking in black, silver-coloured aluminium shift paddles allow manual gearshifts, touch-control buttons	-	-	-	●	●
Electronic key – chrome surround	●	●	●	●	●
Electric windows (4) – one-touch opening and closing, including obstruction sensors	●	●	●	●	●
Floor mats – black with ‘AMG’ lettering	-	-	-	●	●
Floor mats – black with ‘AMG’ lettering and red piping	●	●	●	-	-
Front door sill panels with ‘AMG’ lettering	●	●	●	●	●
Gearshift paddle on steering wheel	●	●	●	●	●
Load compartment cover (Estate only)	●	●	●	●	●
Outside temperature display	●	●	●	●	●



AMG standard equipment

Item	C43 4MATIC Edition	C43 4MATIC Edition Premium	C43 4MATIC Edition Premium Plus	C63 S	C63 S Premium Plus
<b>Interior (continued)</b>					
Seat belts – black	○	○	○	-	-
Seat belts – red	●	●	●	-	-
Seat belts – crystal grey	-	-	-	●	●
Seats - AMG Performance seats	○	○	○	●	●
Seats – front, heated	●	●	●	●	●
Seats – front, with electrical height and back, and four-way lumbar adjustment	●	●	●	-	-
Seats – rear, split folding 40:20:40	●	●	●	●	●
Seats - Sports seats with optimised lateral support	●	●	●	-	-
Sports pedals in brushed stainless steel with rubber studs	●	●	●	●	●
Steering wheel - multifunction sports steering wheel in black nappa leather, with flattened bottom section, heavily embossed in central grip area, with steering wheel trim in silver chrome with contrasting topstitching in red	●	●	●	-	-
Steering wheel - multifunction with audio and onboard settings control	●	●	●	●	●
Stowage – double cupholder in centre console	●	●	●	●	●
Stowage – front centre armrest with stowage compartment	●	●	●	●	●
Stowage – illuminated glove compartment	●	●	●	●	●
Sun visors with illuminated vanity mirrors	●	●	●	●	●
THERMATIC – automatic climate control, two-zone	●	●	●	●	●

Item

Steering

Item	C43 4MATIC Edition	C43 4MATIC Edition Premium	C43 4MATIC Edition Premium Plus	C63 S	C63 S Premium Plus
Steering - AMG 2 stage speed-sensitive sports steering	●	●	●	-	-
Steering - AMG 3 stage speed-sensitive sports steering	-	-	-	●	●
Steering column – manually adjustable for height and reach	●	●	●	-	-

Paint, Trim and Upholstery

Item	C43 4MATIC Edition	C43 4MATIC Edition Premium	C43 4MATIC Edition Premium Plus	C63 S	C63 S Premium Plus
Paint – non-metallic	●	●	●	●	●
Trim – black ash wood	●	●	●	-	-
Trim – open pore grey oak	-	-	-	●	●
Upholstery – AMG black nappa leather	-	-	-	●	●
Upholstery – dashboard in ARTICO man-made leather with contrast stitching	●	●	●	●	●
Upholstery – leather	●	●	●	-	-



AMG standard equipment

Item	C43 4MATIC Edition	C43 4MATIC Edition Premium	C43 4MATIC Edition Premium Plus	C63 S	C63 S Premium Plus
<b>Safety and Assistance Systems</b>					
Active bonnet – pedestrian safety measure which detects an impact and raises bonnet	●	●	●	●	●
Adaptive Brake Assist with HOLD function and brake-drying function	●	●	●	●	●
Adaptive brake lamps	●	●	●	●	●
Alarm system with immobiliser and interior protection	●	●	●	●	●
AMG high-performance braking system	–	–	–	●	●
Anti-lock braking system (ABS)	●	●	●	●	●
ATTENTION ASSIST – can help alert to long journey fatigue	●	●	●	●	●
Automatic child seat recognition sensor	●	●	●	●	●
Central locking with interior switch, automatic locking and crash sensor with emergency opening function	●	●	●	●	●
Childproof locks – manually operated for rear doors and electrically operated for rear power windows	●	●	●	●	●
Dual-stage airbags – driver and front passenger; sidebags in front seats; driver kneebag; pelvis bag and windowbags for driver, front passenger and rear passengers	●	●	●	●	●

Item	C43 4MATIC Edition	C43 4MATIC Edition Premium	C43 4MATIC Edition Premium Plus	C63 S	C63 S Premium Plus
COLLISION PREVENTION ASSIST PLUS	●	●	●	●	●
Electric parking brake	●	●	●	●	●
Electronic Stability Programme (ESP)	●	●	●	●	●
First-aid kit and warning triangle	●	●	●	●	●
ISOFIX child seat attachment points with top tether in rear	●	●	●	●	●
Parking Assist including PARKTRONIC – visual and audible warning of detected obstacles based on distance and position and on detecting crossing traffic when reversing out of a parking space. System is able to briefly limit the moving-off speed when an obstacle is detected in the direction of travel	●	●	●	●	●
Remote boot release	●	●	●	●	●
Service indicator ASSYST	●	●	●	●	●
Status display in instrument cluster for rear seat belts	●	●	●	●	●
SPEEDTRONIC cruise control with variable speed limiter	●	●	●	●	●
TIREFIT with tyre inflation compressor	–	–	–	●	●
Tyre pressure monitoring system	●	●	●	●	●

● Standard – Not available

<sup>1</sup>COMAND Online functionality and Wi-Fi connectivity is dependent on a compatible cellular data connection. Please check with your local Mercedes-Benz Retailer on network compatibility





Item	C43 4MATIC Edition	C43 4MATIC Edition Premium	C43 4MATIC Edition Premium Plus	C63 S	C63 S Premium Plus
<b>Communication and In-Car Entertainment</b>					
AMG Track Pace	-	-	-	●	●
Audio 20 with integrated Media Interface and Bluetooth interface with hands-free function	●	-	-	-	-
Burmester sound system – 13 high performance speakers, 9 channel DSP amplifier with an output of 590 W, Frontbass technology and virtual surround sound	-	-	●	-	●
COMAND Online system with touchpad <sup>1</sup> – digital TV reception, online functions, navigation: hard disk navigation with high-quality topographic map display including 3D places of interest and city models. Latest map data thanks to 3 years of free map updates (from date of initial registration, vehicle-specific). Display of satellite maps (requires a Bluetooth-connected mobile phone). Car-to-X communication. Use of the Live Traffic Information service for optimised dynamic route guidance and more precisely-estimated time of arrival (country-specific). LINGUATRONIC voice control system, two USB ports and one SD card slot in the centre console	-	●	●	●	●
DAB digital radio tuner	●	●	●	●	●

Item	C43 4MATIC Edition	C43 4MATIC Edition Premium	C43 4MATIC Edition Premium Plus	C63 S	C63 S Premium Plus
High-resolution 10.25-inch multimedia colour display	●	●	●	●	●
Mercedes me connect (Vehicle Set-up and Vehicle Monitoring) - onboard use of remote and location services, e.g. geographic vehicle monitoring, vehicle location, remote door locking and unlocking, remote interrogation of vehicle status. Remote Online subscription services are limited to three years from initial registration, and can be extended at additional cost	●	●	●	●	●
Midline sound system – four mid-range speakers, two tweeters, two Frontbass speakers, one centre speaker, 225 W amplifier output	-	●	-	●	●
Radio aerial integrated into rear window	●	●	●	●	●
Smartphone integration	-	●	●	●	●
Speakers with Frontbass	●	●	●	●	●
Two USB ports and an SD card slot in centre console	●	●	●	●	●
Wireless charging surface integrated into quick stowage tray in front of centre console. Quick establishment of connection between multimedia system and mobile phone via Near Field Communication (NFC)	-	●	●	●	●



# Optional equipment

Item	Notes		SE	Sport Edition	AMG Line Edition	AMG Line Night Ed. Premium Plus	AMG Line Night Ed. Premium Plus	C43 4MATIC Edition	C43 4MATIC Ed. Premium Plus	C43 4MATIC Ed. Premium Plus	C63 S	C63 S Premium	Basic RRP excl. VAT (£)	Total RRP incl. VAT (£)
<b>AMG Performance Studio</b>														
AMG Exterior Carbon Fibre package 1 Carbon fibre insert in rear apron Front apron in carbon fibre Side panels with carbon fibre inserts		773	-	-	-	-	-	-	-	-	○	○	2,808.33	3,370.00
AMG Exterior Carbon Fibre package 2 AMG carbon fibre exterior mirror housing AMG carbon fibre spoiler lip		B28	-	-	-	-	-	-	-	-	○	○	1,050.00	1,260.00
AMG Night package AMG exhaust system with two black chrome-plated twin tailpipe trim elements AMG side sill panel inserts in high-gloss black Beltline trim strip and window surround in high-gloss black Exterior mirror housings in high-gloss black Front apron in high-gloss black Privacy glass Rear apron trim strip in high-gloss black (Mercedes-AMG C 63 S only)		P60	-	-	-	-	-	●	●	●	○	○	487.50	585.00
AMG high-performance ceramic composite braking system		B07	-	-	-	-	-	-	-	-	-	○	3,570.83	4,285.00
Head-up display Projects key driver information, such as vehicle speed, navigation tips and speed limits, as a virtual colour image (21 × 7 cm) into the driver's field of vision. Special light sensors adjust the brightness of the head-up display to ensure good visibility without distraction. The display is easily height adjustable		463	-	-	-	-	-	○	○	○	○	○	687.50	825.00



Optional equipment

75

Item	Notes	550	SE	Sport Edition	AMG Line Edition	AMG Line Night Ed. Premium Plus	AMG Line Night Ed. Premium Plus	C43 4MATIC Edition	C43 4MATIC Ed. Premium	C43 4MATIC Ed. Premium Plus	C63 S	C63 S Premium	Basic RRP excl. VAT (£)	Total RRP incl. VAT (£)
<b>Exterior</b>														
Tow bar, manually folding – includes 13-pin socket When ordering, please discuss with your Retailer any specific electrical towing requirements	Excludes 7-pin adapter.	550	○	○	○	○	-	○	○	-	○	○	625.00	750.00
<b>Paint, Trim and Upholstery</b>														
Trim – carbon fibre with analogue clock		H73	-	-	-	-	-	-	-	-	○	○	583.33	700.00
<b>Service Package</b>														
ServiceCare ServiceCare allows you to spread the cost of servicing your new car in the Mercedes-Benz Retailer network. Taking out a ServiceCare plan ensures your servicing needs are taken care of by fully trained Mercedes-Benz Technicians with the added benefit of a Mercedes-Benz service history	Price is based on a monthly rate. Example given is for two services taken over 24 months; three services over 36 months; or four services over 48 months. Further payment options are available. New ServiceCare prices apply only to vehicles up to 12 months old prior to first service		○	○	○	○	○	○	○	○	-	-	28.33	34.00
			-	-	-	-	-	-	-	-	○	○	42.50	51.00



## Genuine Accessories

We've developed a range of Accessories you can add to help personalise and enhance your C-Class. Your local Mercedes-Benz Retailer can advise on fitting costs of Accessories, where applicable. Further information on our full range of Genuine Accessories can be found **here** on the Mercedes-Benz UK website.

### 01 | LED Mercedes star projector (A2138204503)

The legendary three-pointed star logo is discreetly projected onto the ground alongside your vehicle every time you open the front driver or passenger door. The star automatically disappears once the doors are closed.

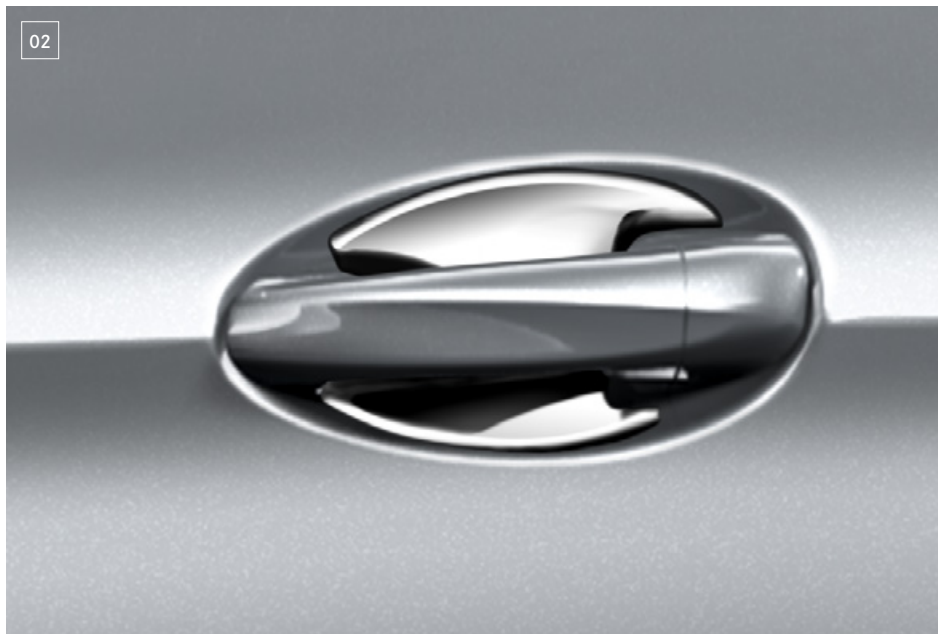
**RRP £120.00 (incl. VAT), excluding fitting**

All the above accessories are subject to availability and compatibility. Please ask your Mercedes-Benz Retailer for more information

### 02 | Door handle recesses, two-piece (A2057604200)

High-shine door handle recesses in chrome design. Protects the recess behind the door handle from scratches and offers a high-quality, individual look.

**RRP £44.40 (incl. VAT), excluding fitting**





Book a test drive > Saloon  
> Estate  
> AMG



> Find a Retailer

03

04

Genuine Accessories

77



### 03 | Shallow boot tub

The boot tub is suitable for transporting shopping. The tub shape with its slightly raised edge is precision-tailored to the load area. Made from impact-resistant, non-slip polypropylene, its structured surface holds the separately available stowage crate in place. Deep boot tub also available.

Saloon, without through loading (A2058140700): **RRP £96.00 (incl. VAT)**

Saloon, with through loading (A2058140600): **RRP £88.50 (incl. VAT)**

Estate (A2058140300): **RRP £87.60 (incl. VAT)**

### 04 | Stowage crate (A0008140400)

The robust plastic stowage box creates order in the boot. The box can be divided into two sections using the enclosed rigid dividing element and be combined with the Mercedes-Benz boot tub thanks to the ribbed structure at the bottom. Capacity: 51 litres.

**RRP £87.00 (incl. VAT)**



Book a test drive > Saloon  
> Estate  
> AMG



> Find a Retailer

### 05 | Concertina load sill protector (A2536932000)

Protects the rear of the car from scratches when you're loading the vehicle – and prevents dirt from the car from getting onto your clothes. Practical design – can be connected to shallow boot tub or reversible mat.

RRP £41.50 (incl. VAT)

### 06 | All-season floor mats

Robust, washable synthetic material, designed for heavy use. Latest design with recessed areas and raised edge. With distinctive Mercedes-Benz star logo.

Front (A20568022489G33): RRP £64.80 (incl. VAT)

Rear (A20568076089G33): RRP £34.92 (incl. VAT)

All the above accessories are subject to availability and compatibility. Please ask your Mercedes-Benz Retailer for more information





Book a test drive

> Saloon

> Estate

> AMG



> Find a Retailer

07



### 07 | Head restraint modular system

Carefree travel with Mercedes-Benz Style & Travel Equipment. The head restraint elements are simple to fit and remove. The modular system centres around a base support which can be combined with a coat hanger, universal hook, folding table and tablet mount.

Base support (A0008103300): RRP £23.50 (incl. VAT)

Coat hanger (A0008103400): RRP £68.00 (incl. VAT)

Folding table (A0008160000): RRP £108.00 (incl. VAT)

Bag hook (A0008140000): RRP £28.00 (incl. VAT)

All the above accessories are subject to availability and compatibility. Please ask your Mercedes-Benz Retailer for more information



Book a test drive

> Saloon

> Estate

> AMG



> Find a Retailer

### 08 | Basic carrier bars

Aluminium carrier bars, precision-tailored to the body of your C-Class – the perfect basis for a range of Mercedes-Benz transport solutions: ski and snowboard rack, bicycle rack or roof boxes.

Saloon (A2058900093): **RRP £222.50 (incl. VAT)**

Estate (A2058900193): **RRP £213.00 (incl. VAT)**

### 09 | Mercedes-Benz roof boxes (part numbers vary)

An aerodynamic design, tailored to your Mercedes-Benz. In extremely durable material. Designed for quick, optimised attachment to the basic carrier bars. Particularly convenient loading and unloading thanks to the option of double-sided opening. Lockable from both sides. Available in various sizes.

**RRP from £416.00 (incl. VAT)**

All the above accessories are subject to availability and compatibility. Please ask your Mercedes-Benz Retailer for more information

08



09







## Technical data – Saloon

Model		Diesel engines		
		C 220 d	C 300 d	C 300 de EQ Power
<b>Engine</b>				
Total displacement	cc	1,950	1,950	1,950
Arrangement/cylinders/valves		in-line/4/16	in-line/4/16	in-line/4/16
Fuel delivery		Common-rail diesel with twin turbochargers	Common-rail diesel with twin turbochargers	Common-rail diesel with twin turbochargers
Power <sup>1</sup>	hp (kW) at rpm			
Combustion engine		194 (143)/3,800	245 (180)/4,200	194 (143)/3,800
Electric motor		–	–	122 (90)/tba
System output		–	–	306 (225)/3,800
Torque <sup>1</sup>	Nm at rpm			
Combustion engine		400/1,600–2,800	500/1,600–2,400	400/1,600–2,800
Electric motor		–	–	440/tba
System output		–	–	700/3,800
Compression ratio		15.5:1	15.5:1	15.5:1
Equivalent All-Electric Range (EAER) <sup>2</sup>	mi	–	–	34–35
Battery type/capacity	kWh	–	–	Lithium-ion/13.50
Power consumption, combined <sup>2</sup>	Wh/km	–	–	208–216
AC charging time, 10–100% <sup>3</sup>	h			
At a domestic socket		–	–	5.0
At a wall box		–	–	1.5
Capacity on-board charger	kW	–	–	7.2
Emissions standard		Euro 6d-ISC-FCM	Euro 6d-ISC-FCM	Euro 6d-ISC-FCM

<sup>1</sup>Figures according to Directive 80/1269/EEC in the currently applicable version

<sup>2</sup>The indicated values were determined according to the prescribed measurement method – Worldwide Harmonised Light Vehicle Test Procedure (WLTP). Figures shown may include options which are not available in the UK.

For Plug-in Hybrid Electric Vehicle (PHEV) figures determined with the battery fully charged, using a combination of both battery power and fuel. These models require mains electricity for charging

<sup>3</sup>Specified voltage and current values refer to network infrastructure and can be limited by the vehicle. Times are from 10–100% charge using a wall box (three-phase) or standard socket (single-phase)



Diesel engines				
Model		C 220 d	C 300 d	C 300 de EQ Power
<b>Transmission</b>				
9G-TRONIC PLUS 9-speed auto.		●	●	●
<b>Tyre sizes</b>				
Front		225/50 R 17	225/45 R 18	225/50 R 17
Rear		225/50 R 17	245/40 R 18	225/50 R 17
<b>Performance</b>				
		auto.	auto.	auto.
Acceleration 0–62 mph	s	6.9	5.9	5.6
Top speed	mph	149	155 <sup>4</sup>	155 <sup>4</sup>
<b>Weights and capacities</b>				
		auto.	auto.	auto.
Kerb weight <sup>5</sup>	kg	1,585	1,635	1,895
Perm. Gross Vehicle Weight	kg	2,165	2,215	2,425
Towing capacity – unbraked/braked	kg	750/1,800	750/1,800	750/1,800
Boot capacity – seats up	l	455	455	300
Fuel tank capacity/of which reserve	l	66/7	66/7	66/7
Turning circle	m	11.18	11.18	11.18

● Standard ○ Optional – Not available <sup>4</sup>Electrically limited <sup>5</sup>Figures according to Directive 92/21/EC (kerb weight with fuel tank 90% full, driver, 68 kg, and luggage, 7 kg) for standard-specification vehicles. Optional extras and accessories will generally increase this figure and reduce the payload capacity accordingly



Model	Diesel engines		
	C 220 d	C 300 d	C 300 de EQ Power
<b>Fuel consumption<sup>6,7,8</sup></b>	auto.	auto.	auto.
Combined (consumption dependent on chosen optional equipment) l/100 km mpg	5.1-5.5 51.4-55.4	5.5-6.0 51.4-47.1	1.2-1.3 235.4-217.3

**Insurance group ratings**

Sport Edition	-	-	43E
AMG Line Edition	36E	40E	43E
AMG Line Night Edition Premium	36E	39E	44E
AMG Line Night Edition Premium Plus	36E	40E	44E

Insurance ratings may vary depending on model line and specification. Please refer to <http://www.thatcham.org/abigrouprating/> for further details

<sup>6</sup>All figures are based on a standard specification with the smallest tyre size <sup>7</sup>The choice of wheels may affect CO<sub>2</sub> emissions and corresponding Road Fund Licence

<sup>8</sup>The indicated values were determined according to the prescribed measurement method - Worldwide Harmonised Light Vehicle Test Procedure (WLTP). Figures shown may include options which are not available in the UK



Model	Petrol engines					
	C 200	C 300	C 300 e EQ Power	Mercedes-AMG C 43 4MATIC Edition	Mercedes-AMG C 63 S	
<b>Engine</b>						
Total displacement	cc	1,497	1,991	1,991	2,996	3,982
Arrangement/cylinders/valves		in-line/4/16	in-line/4/16	in-line/4/16	V/6/24	V/8/32
Fuel delivery		Electronically controlled direct injection with turbocharger	Electronically controlled direct injection with turbocharger	Electronically controlled direct injection with turbocharger	Electronically controlled direct injection with twin turbochargers	Electronically controlled direct injection with twin turbochargers
Power <sup>1</sup>	hp (kW) at rpm					
Combustion engine		184 (135)/5,800–6,100	258 (190)/5,800–6,100	211 (155)/5,500	390 (287)/6,100	510 (375)/5,500–6,250
Electric Motor		–	–	122 (90)/2,500	–	–
System output		–	–	320 (235)/tba	–	–
EQ Boost		14 (10)	14 (10)	–	–	–
Torque <sup>1</sup>	Nm at rpm					
Combustion engine		280/3,000–4,000	370/1,800–4,000	350/1,300–4,000	520/2,500–5,000	700/2,000–4,500
Electric Motor		–	–	440/2,000	–	–
System output		–	–	700/tba	–	–
Compression ratio		11.0:1	10.5:1	9.8:1	10.5:1	10.5:1
Equivalent All-Electric Range (EAER) <sup>2</sup>	mi	–	–	34–35	–	–
Battery type/capacity	kWh	–	–	13.5	–	–
Power consumption, combined <sup>2</sup>	Wh/km	–	–	218–223	–	–

<sup>1</sup>Figures according to Directive 80/1269/EEC in the currently applicable version

<sup>2</sup>The indicated values were determined according to the prescribed measurement method – Worldwide Harmonised Light Vehicle Test Procedure (WLTP). Figures shown may include options which are not available in the UK. For Plug-in Hybrid Electric Vehicle (PHEV) figures determined with the battery fully charged, using a combination of both battery power and fuel. These models require mains electricity for charging



		Petrol engines				
Model		C 200	C 300	C 300e EQ Power	Mercedes-AMG C 43 4MATIC Edition	Mercedes-AMG C 63 S
<b>Engine (continued)</b>						
AC charging time, 10–100% <sup>3</sup>	h					
At a domestic socket <sup>4</sup>		–	–	5.0	–	–
At a wall box		–	–	1.5	–	–
Capacity on-board charger	kW	–	–	7.2	–	–
Emissions standard		Euro 6d-ISC-FCM	Euro 6d-ISC-FCM	Euro 6d-ISC-FCM	Euro 6d-ISC-FCM	Euro 6d-ISC-FCM
<b>Transmission</b>						
9G-TRONIC PLUS 9-speed auto.		●	●	●	●	–
AMG SPEEDSHIFT MCT 9-speed auto.		–	–	–	–	●
<b>Tyre sizes</b>						
Front		225/50 R 17	225/45 R 18	225/50 R 17	225/40 R 19	245/35 R 19
Rear		225/50 R 17	245/40 R 18	245/45 R 17	255/35 R 19	265/35 R 19
<b>Performance</b>		auto.	auto.	auto.	auto.	auto.
Acceleration 0–62 mph	s	7.7	5.9	5.4	4.7	4.0
Top speed	mph	149	155 <sup>5</sup>	155	155 <sup>5</sup>	180

● Standard ○ Optional – Not available

<sup>3</sup>Specified voltage and current values refer to network infrastructure and can be limited by the vehicle. Times are from 10–100% charge using a wall box (three-phase) or standard socket (single-phase) **\*If you are planning to charge your Mercedes-Benz plug-in electric vehicle using a 3-pin domestic plug socket you must get a qualified electrician to inspect and sign off the socket to confirm it is safe and suitable to charge your vehicle. Do not use an electric vehicle 3-pin charge cable with an extension cord** <sup>5</sup>Electrically limited



Model	Petrol engines				
	C200	C300	C300e EQ Power	Mercedes-AMG C43 4MATIC Edition	Mercedes-AMG C63 S

Weights and capacities		auto.	auto.	auto.	auto.	auto.
Kerb weight <sup>6</sup>	kg	1,505	1,555	1,815	1,705	1,755
Perm. Gross Vehicle Weight	kg	2,085	2,135	2,350	2,225	2,180
Towing capacity - unbraked/braked	kg	710/1,800	750/1,800	tba	750/1,800	-/-
Boot capacity - seats up	l	435	455	300	tba	435
Fuel tank capacity/of which reserve	l	66/7	66/7	50/7.0	66/7	66/7
Turning circle	m	11.18	11.18	11	12.10	11.80

Fuel consumption <sup>7,8,9</sup>		auto.	auto.	auto.	auto.	auto.
Combined (consumption dependent on chosen optional equipment)	l/100 km	6.7-7.5	7.1-7.5	1.5-1.6	9.7-9.9	10.8-10.9
	mpg	42.2-37.7	39.8-37.7	188.3-176.6	29.1-28.5	26.2-25.9

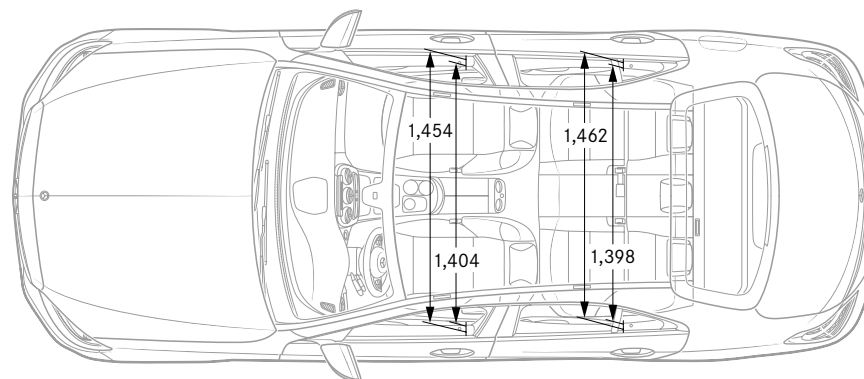
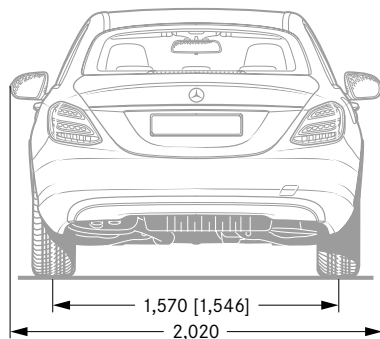
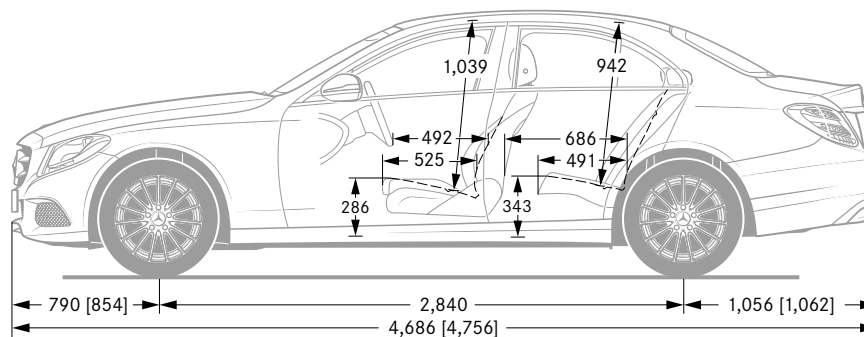
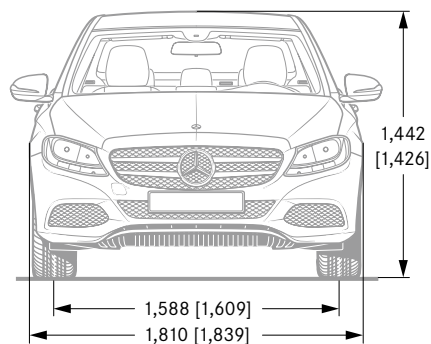
Insurance group ratings					
SE	32E	-	-	-	-
Sport Edition	33E-34E	37E-38E	37E-38E	-	-
AMG Line Edition	34E	37E-38E	40E	-	-
AMG Line Night Edition Premium	34E	38E	40E	-	-
AMG Line Night Edition Premium Plus	35E	38E	40E	-	-
Mercedes-AMG C43 4MATIC Edition/Premium/Premium Plus	-	-	-	41E	-
Mercedes-AMG C63 S [Premium Plus]	-	-	-	-	48E [49E]

Insurance ratings may vary depending on model line and specification. Please refer to <http://www.thatcham.org/abigrouprating/> for further details

<sup>6</sup>Figures according to Directive 92/21/EC (kerb weight with fuel tank 90% full, driver, 68 kg, and luggage, 7 kg) for standard-specification vehicles. Optional extras and accessories will generally increase this figure and reduce the payload capacity accordingly

<sup>7</sup>All figures are based on a standard specification with the smallest tyre size <sup>8</sup>The choice of wheels may affect CO<sub>2</sub> emissions and corresponding Road Fund Licence

<sup>9</sup>The indicated values were determined according to the prescribed measurement method - Worldwide Harmonised Light Vehicle Test Procedure (WLTP). Figures shown may include options which are not available in the UK





## Technical data – Estate

Model		Diesel engines		
		C 220 d	C 300 d	C 300 de EQ Power
<b>Engine</b>				
Total displacement	cc	1,950	1,950	1,950
Arrangement/cylinders/valves		in-line/4/16	in-line/4/16	in-line/4/16
Fuel delivery		Common-rail diesel with twin turbochargers	Common-rail diesel with twin turbochargers	Common-rail diesel with twin turbochargers
Power <sup>1</sup>	hp (kW) at rpm			
Combustion engine		194 (143)/3,800	245 (180)/4,200	194 (143)/3,800
Electric motor		–	–	122 (90)/tba
System output		–	–	306 (225)/3,800
Torque <sup>1</sup>	Nm at rpm			
Combustion engine		400/1,600–2,800	500/1,600–2,400	400/1,600–2,800
Electric motor		–	–	440/tba
System output		–	–	700/3,800
Compression ratio		15.5:1	15.5:1	15.5:1
Equivalent All-Electric Range (EAER) <sup>2</sup>	mi	–	–	33–34
Battery type/capacity	kWh	–	–	Lithium-ion/13.50
Power consumption, combined <sup>2</sup>	Wh/km	–	–	216–220
AC charging time, 10–100% <sup>3</sup>	h			
At a domestic socket		–	–	5.0
At a wall box		–	–	1.5
Capacity on-board charger	kW	–	–	7.2
Emissions standard		Euro 6d-ISC-FCM	Euro 6d-ISC-FCM	Euro 6d-ISC-FCM

<sup>1</sup>Figures according to Directive 80/1269/EEC in the currently applicable version

<sup>2</sup>The indicated values were determined according to the prescribed measurement method – Worldwide Harmonised Light Vehicle Test Procedure (WLTP). Figures shown may include options which are not available in the UK. For Plug-in Hybrid Electric Vehicle (PHEV) figures determined with the battery fully charged, using a combination of both battery power and fuel. These models require mains electricity for charging

<sup>3</sup>Specified voltage and current values refer to network infrastructure and can be limited by the vehicle. Times are from 10–100% charge using a wall box (three-phase) or standard socket (single-phase)





Diesel engines				
Model		C 220 d	C 300 d	C 300 de EQ Power
<b>Transmission</b>				
9G-TRONIC PLUS 9-speed auto.		●	●	●
<b>Tyre sizes</b>				
Front		225/50 R 17	225/45 R 18	225/50 R 17
Rear		225/50 R 17	245/40 R 18	225/50 R 17
<b>Performance</b>				
		auto.	auto.	auto.
Acceleration 0–62 mph	s	7.0	6.0	5.7
Top speed	mph	145	155 <sup>4</sup>	155 <sup>4</sup>
<b>Weights and capacities</b>				
		auto.	auto.	auto.
Kerb weight <sup>5</sup>	kg	1,615	1,685	1,955
Perm. Gross Vehicle Weight	kg	2,205	2,275	2,480
Towing capacity – unbraked/braked	kg	750/1,800	750/1,800	750/1,800
Boot capacity – seats up/seats down	l	460/1,480	460/1,480	315/1,335
Fuel tank capacity/of which reserve	l	66/7	66/7	66/7
Turning circle	m	tba	11.18	11.18

● Standard ○ Optional – Not available <sup>4</sup>Electrically limited

<sup>5</sup>Figures according to Directive 92/21/EC (kerb weight with fuel tank 90% full, driver, 68 kg, and luggage, 7 kg) for standard-specification vehicles. Optional extras and accessories will generally increase this figure and reduce the payload capacity accordingly



Model	Diesel engines		
	C 220 d	C 300 d	C 300 de EQ Power
<b>Fuel consumption<sup>6,7,8</sup></b>	auto.	auto.	auto.
Combined (consumption dependent on chosen optional equipment) l/100 km mpg	5.2-5.7 54.3-49.6	5.7-6.2 49.6-45.6	1.3 217.3

**Insurance group ratings**

Sport Edition	34E	-	43E
AMG Line Edition	35E-36E	40E	43E-44E
AMG Line Night Edition Premium	36E	39E	43E
AMG Line Night Edition Premium Plus	36E	40E	44E

Insurance ratings may vary depending on model line and specification. Please refer to <http://www.thatcham.org/abigrouprating/> for further details

<sup>6</sup>All figures are based on a standard specification with the smallest tyre size <sup>7</sup>The choice of wheels and transmission may affect CO<sub>2</sub> emissions and corresponding Road Fund Licence

<sup>8</sup>The indicated values were determined according to the prescribed measurement method - Worldwide Harmonised Light Vehicle Test Procedure (WLTP). Figures shown may include options which are not available in the UK



Model	Petrol engines					
	C 200	C 300	C 300 e <b>EQ Power</b>	Mercedes-AMG C 43 4MATIC Edition	Mercedes-AMG C 63 S	
<b>Engine</b>						
Total displacement	cc	1,497	1,991	1,991	2,996	3,982
Arrangement/cylinders/valves		in-line/4/16	in-line/4/16	in-line/4/16	V/6/24	V/8/32
Fuel delivery		Electronically controlled direct injection with turbocharger	Electronically controlled direct injection with turbocharger	Electronically controlled direct injection with turbocharger	Electronically controlled direct injection with twin turbochargers	Electronically controlled direct injection with twin turbochargers
Power <sup>1</sup>	hp (kW) at rpm					
Combustion engine		184 (135)/5,800–6,100	258 (190)/5,800–6,100	211 (155)/5,500	390 (287)/6,100	510 (375)/5,500–6,250
Electric Motor		–	–	122 (90)/2,500	–	–
System output		–	–	320 (235)/tba	–	–
EQ Boost		14 (10)	14 (10)	–	–	–
Torque <sup>1</sup>	Nm at rpm					
Combustion engine		280/3,000–4,000	370/1,800–4,000	350/1,300–4,000	520/2,500–5,000	700/2,000–4,500
Electric Motor		–	–	440/2,000	–	–
System output		–	–	700/tba	–	–
Compression ratio		11.0:1	10.5:1	9.8:1	10.5:1	10.5:1
Equivalent All-Electric Range (EAER) <sup>2</sup>	mi	–	–	34	–	–
Battery type/capacity	kWh	–	–	13.5	–	–
Power consumption, combined <sup>2</sup>	Wh/km	–	–	225–229	–	–

<sup>1</sup>Figures according to Directive 80/1269/EEC in the currently applicable version

<sup>2</sup>The indicated values were determined according to the prescribed measurement method – Worldwide Harmonised Light Vehicle Test Procedure (WLTP). Figures shown may include options which are not available in the UK. For Plug-in Hybrid Electric Vehicle (PHEV) figures determined with the battery fully charged, using a combination of both battery power and fuel. These models require mains electricity for charging



		Petrol engines				
Model		C200	C300	C300e EQ Power	Mercedes-AMG C 43 4MATIC Edition	Mercedes-AMG C 63 S
<b>Engine (continued)</b>						
AC charging time, 10–100% <sup>3</sup>	h			5.0	–	–
At a domestic socket <sup>4</sup>		–	–	1.5	–	–
At a wall box		–	–		–	–
Capacity on-board charger	kW	–	–	7.2	–	–
Emissions standard		Euro 6d-ISC-FCM	Euro 6d-ISC-FCM	Euro 6d-ISC-FCM	Euro 6d-ISC-FCM	Euro 6d-ISC-FCM
<b>Transmission</b>						
9G-TRONIC PLUS 9-speed auto.		●	●	●	●	–
AMG SPEEDSHIFT MCT 9-speed auto.		–	–	–	–	●
<b>Tyre sizes</b>						
Front		225/50 R17	225/45 R18	225/45 R18	225/40 R19	245/35
Rear		225/50 R17	245/40 R18	245/40 R18	255/35 R19	265/35
<b>Performance</b>		auto.	auto.	auto.	auto.	auto.
Acceleration 0–62 mph	s	7.9	6.0	5.5	4.8	4.1
Top speed	mph	146	155	155	155 <sup>5</sup>	174

● Standard ○ Optional – Not available

<sup>3</sup>Specified voltage and current values refer to network infrastructure and can be limited by the vehicle. Times are from 10–100% charge using a wall box (three-phase) or standard socket (single-phase) **If you are planning to charge your Mercedes-Benz plug-in electric vehicle using a 3-pin domestic plug socket you must get a qualified electrician to inspect and sign off the socket to confirm it is safe and suitable to charge your vehicle. Do not use an electric vehicle 3-pin charge cable with an extension cord.** <sup>5</sup>Electrically limited



Model	Petrol engines				
	C 200	C 300	C 300 e EQ Power	Mercedes-AMG C 43 4MATIC Edition	Mercedes-AMG C 63 S

Weights and capacities		auto.	auto.	auto.	auto.	auto.
Kerb weight <sup>6</sup>	kg	1,565	1,610	1,870	1,760	1,825
Perm. Gross Vehicle Weight	kg	2,155	2,200	2,415	2,320	2,240
Towing capacity – unbraked/braked	kg	750/1,800	750/1,800	750/1,800	750/1,800	–/–
Boot capacity – seats up/seats down	l	440/1,460	460/1,480	315/tba	460/1,480	460/1,480
Fuel tank capacity/of which reserve	l	66/7	66/7	50/7	66/7	66/7
Turning circle	m	11.18	11.18	11.00	12.10	11.80

Fuel consumption <sup>7,8,9</sup>		auto.	auto.	auto.	auto.	auto.
Combined (consumption dependent on chosen optional equipment)	l/100 km mpg	7.2–7.8 39.2–36.2	7.3–8.0 38.7–35.3	1.6–1.7 176.6–166.2	9.9–10.1 28.5–28.0	11.0–11.2 25.7–25.2

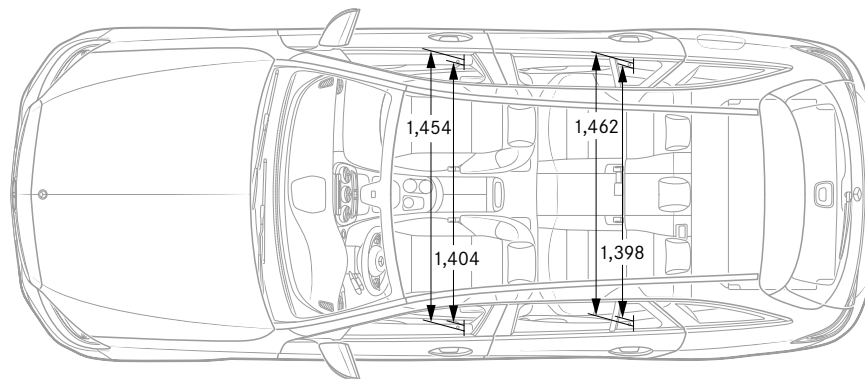
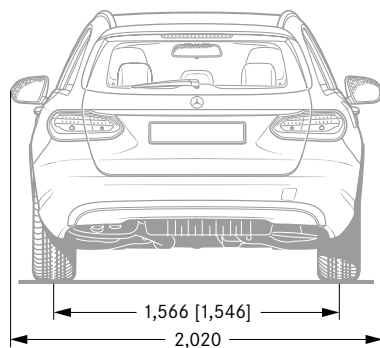
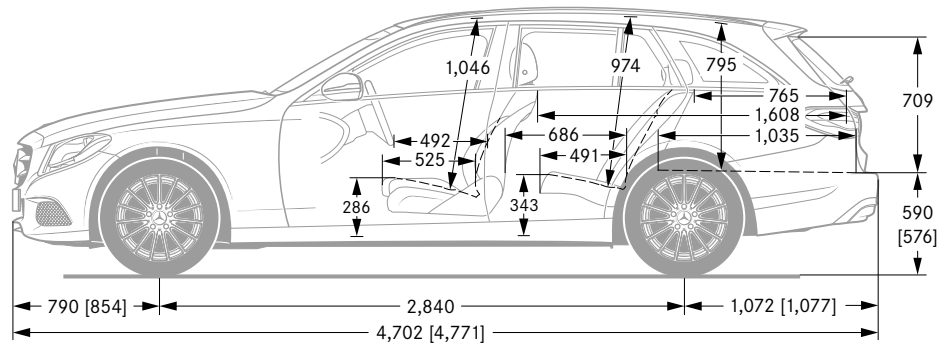
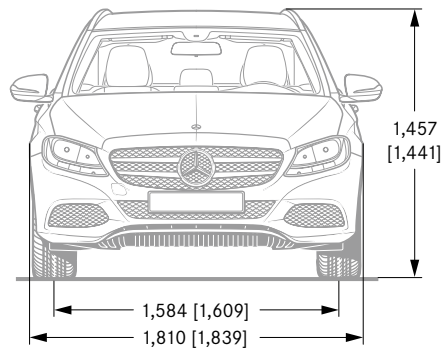
Insurance group ratings					
Sport Edition	33E–34E	37E–38E	40E	–	–
AMG Line Edition	34E	37E	40E	–	–
AMG Line Night Edition Premium	34E	38E	41E	–	–
AMG Line Night Edition Premium Plus	34E	39E	41E	–	–
Mercedes-AMG C 43 4MATIC Edition/ Premium/Premium Plus	–	–	–	41E	–
Mercedes-AMG C 63 S [Premium Plus]	–	–	–	–	49E

Insurance ratings may vary depending on model line and specification. Please refer to <http://www.thatcham.org/abigrouprating/> for further details

<sup>6</sup>Figures according to Directive 92/21/EC (kerb weight with fuel tank 90% full, driver, 68 kg, and luggage, 7 kg) for standard-specification vehicles. Optional extras and accessories will generally increase this figure and reduce the payload capacity accordingly

<sup>7</sup>All figures are based on a standard specification with the smallest tyre size <sup>8</sup>The choice of wheels may affect CO<sub>2</sub> emissions and corresponding Road Fund Licence

<sup>9</sup>The indicated values were determined according to the prescribed measurement method – Worldwide Harmonised Light Vehicle Test Procedure (WLTP). Figures shown may include options which are not available in the UK



Figures in square brackets relate to Mercedes-AMG models. All measurements in millimetres. The dimensions are mean values and apply to standard-specification, unladen vehicles



Book a test drive

> Saloon

> Estate

> AMG



> Find a Retailer

# Road Fund Licence



All road vehicle registrations are subject to Vehicle Excise Duty (Road Fund Licence), which varies in accordance with the vehicle's CO<sub>2</sub> emissions. A first year rate for each taxation band will apply. The table below shows the bands (A–M) created by the DVLA and the corresponding Road Fund Licence. CO<sub>2</sub> emissions and the relevant Excise Duty are shown on the model pricing pages 40–45.

Band	CO <sub>2</sub> emissions (g/km)	First year rate petrol and RDE2 diesel (£)	First year rate all other diesel (£) <sup>1</sup>	First year rate alternative fuel (£)	Electric vehicles		Alternative fuel vehicles		Petrol/diesel vehicles	
					Standard rate (£)	Premium rate (£) <sup>2</sup>	Standard rate (£)	Premium rate (£) <sup>2</sup>	Standard rate (£)	Premium rate (£) <sup>2</sup>
A	0	0.00	0.00	0.00	0.00	0.00	0.00	0.00	0.00	0.00
B	1 to 50	10.00	25.00	0.00	0.00	0.00	145.00	465.00	150.00	475.00
C	51 to 75	25.00	110.00	15.00	0.00	0.00	145.00	465.00	150.00	475.00
D	76 to 90	110.00	135.00	100.00	0.00	0.00	145.00	465.00	150.00	475.00
E	91 to 100	135.00	155.00	125.00	0.00	0.00	145.00	465.00	150.00	475.00
F	101 to 110	155.00	175.00	145.00	0.00	0.00	145.00	465.00	150.00	475.00
G	111 to 130	175.00	215.00	165.00	0.00	0.00	145.00	465.00	150.00	475.00
H	131 to 150	215.00	540.00	205.00	0.00	0.00	145.00	465.00	150.00	475.00
I	151 to 170	540.00	870.00	530.00	0.00	0.00	145.00	465.00	150.00	475.00
J	171 to 190	870.00	1,305.00	860.00	0.00	0.00	145.00	465.00	150.00	475.00
K	191 to 225	1,305.00	1,850.00	1,295.00	0.00	0.00	145.00	465.00	150.00	475.00
L	226 to 255	1,850.00	2,175.00	1,840.00	0.00	0.00	145.00	465.00	150.00	475.00
M	over 255	2,175.00	2,175.00	2,165.00	0.00	0.00	145.00	465.00	150.00	475.00

<sup>1</sup>Applies to all Mercedes-Benz diesel models which do not comply with Real Driving Emissions step 2 (RDE2)

<sup>2</sup>Premium rate only applicable to vehicles where the list price is over £40,000 including any factory-fitted options, standard UK delivery charge, number plates, fuel and VAT



Book a test drive

> Saloon

> Estate

> AMG



> Find a Retailer

# Services and insurance

## Mercedes-Benz ServiceCare

We believe that servicing costs should be as flexible and affordable as possible for your C-Class, which is why we offer ServiceCare, an easy way to budget for all your servicing costs. It spreads your bills into manageable payments based on whether you have a new or used Mercedes-Benz.

With ServiceCare we guarantee the price of parts and labour for up to four services and safeguard against any further inflation. It also covers the cost of all recommended service items including brake fluid, spark plugs, air filters, fuel filters and screen wash.

You can choose either to add your servicing costs into your monthly spend or pay the full amount in a one-off payment, giving you peace of mind that they are taken care of for the period of the plan.

To receive a personalised ServiceCare plan recommendation visit the ServiceCare Calculator at [servicecarerates.mercedes-benz.co.uk](http://servicecarerates.mercedes-benz.co.uk)

## Warranty and breakdown cover

Every Mercedes-Benz comes with a three-year unlimited mileage warranty against manufacturing or material defects<sup>1</sup> and up to 30 years warranty against perforation due to corrosion from the inside out.<sup>2</sup> What's more, it's also covered by Mercedes-Benz Roadside Assistance – a unique package comprising up to 30 years pan-European breakdown assistance.<sup>2</sup>

## Motor Insurance

Superb cover comes as standard. When reviewed by an independent research company, Defaqto, Mercedes-Benz Motor Insurance received a five-star rating, the highest rating available. We design our Motor Insurance specifically for Mercedes-Benz drivers.

For more information or to obtain a quote, click [here](#).





Book a test drive

> Saloon

> Estate

> AMG



> Find a Retailer

# Mercedes-Benz Finance

## Why should you finance with Mercedes-Benz?

At Mercedes-Benz we believe a great driving experience should be matched by an equally great ownership experience. That is why we put just as much thought, time and effort into designing our finance options, our service plans and our insurance cover as we do into our vehicles.

We are not in the business of simply providing a loan to fund the purchase of your dream vehicle. We look on it as a journey that we take with you, from the moment you choose your new Mercedes-Benz, to helping you in choosing your next one.

If you would like to find out more about any of our current offers, simply call into your local Mercedes-Benz Retailer where one of our Business Managers will be more than happy to talk you through anything you need to know.

## Helping you find the right solution.

You should find our finance packages are more convenient than a traditional personal loan because:

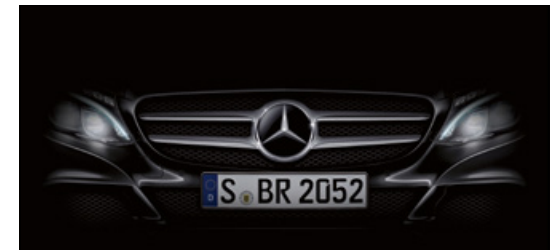
- Funds are immediately available – no waiting for cheques or loans to clear.
- There is no security required – either against your home or other assets.
- We have clear and transparent rates – the APR we quote is the APR you get.
- We have friendly Business Managers – experts in vehicle finance who can talk you through all of your plans in detail.

One of our most popular finance products is Mercedes-Benz Agility (our Personal Contract Purchase product). We also offer Contract Hire, Operating Lease and Hire Purchase solutions. If you would like to find out more about these speak to your Retailer or visit [www.mercedes-benz.co.uk/fandi](http://www.mercedes-benz.co.uk/fandi).

## Mercedes-Benz Agility (our PCP product).

At the start of an Agility agreement, you put down a deposit and decide the term of your agreement and your annual mileage. You will be advised of the Guaranteed Future Value, which offers you the reassurance of knowing exactly what you will need to pay to own the vehicle outright in the future (this is known as the Optional Purchase Payment).

Throughout your agreement you simply pay your agreed monthly payments and when the agreement comes to an end you either purchase, hand back or part-exchange your vehicle.





Book a test drive

> Saloon

> Estate

> AMG



> Find a Retailer

### Agility features:

- Fixed regular payments mean you can easily budget.
- Payments are based only on a proportion of the vehicle's value, keeping your monthly payments lower.
- Our Guaranteed Future Value avoids the risk of unplanned depreciation of your vehicle.
- You defer your ownership decision until the end of the agreement.

### At the end of your agreement you have three options to choose from.

#### Option 1: Purchase your Mercedes-Benz.

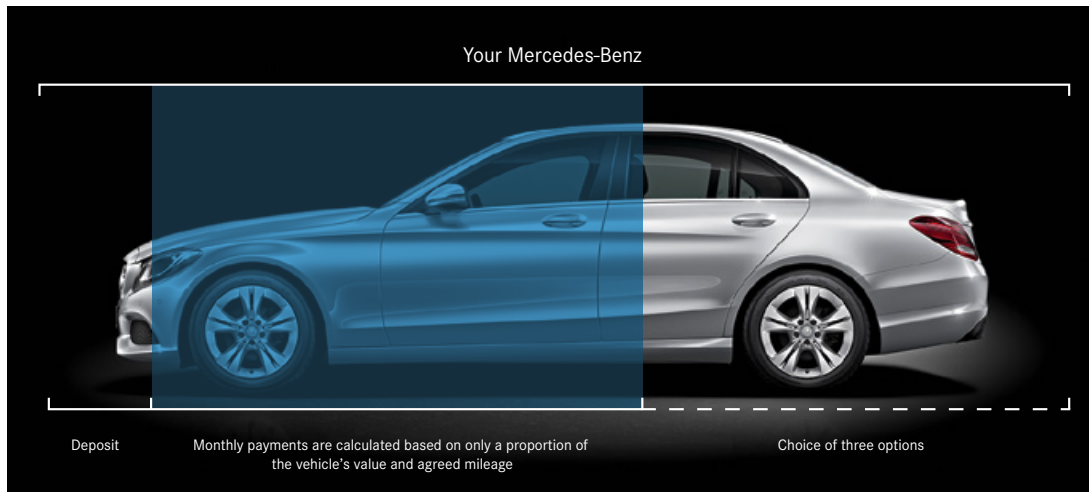
Purchase your Mercedes-Benz by paying the Optional Purchase Payment and Purchase Activation Fee.<sup>1</sup> This will complete the purchase of your Mercedes-Benz, leaving you free to simply enjoy your vehicle.

#### Option 2: Hand back your Mercedes-Benz.

If you decide to return your vehicle to us, it must be in line with our Vehicle Return Standards,<sup>\*</sup> as vehicle condition, excess mileage and other charges may be payable.

#### Option 3: Part-Exchange for a new vehicle.

Purchase your Mercedes-Benz by paying the Optional Purchase Payment and Purchase Activation Fee.<sup>1</sup> This will complete the purchase of your Mercedes-Benz, leaving you free to part-exchange for a new vehicle.



<sup>1</sup>Please note the 'Purchase Activation Fee' of £10 will be debited from your account \*To find out more information about our Vehicle Return Standards please visit <http://mercedes-benz.co.uk/vrs>




Book a test drive


- > Saloon
- > Estate
- > AMG





> Find a Retailer

Follow us on the following social media channels:

 [facebook.com/mercedesbenzuk](https://facebook.com/mercedesbenzuk)

 [twitter.com/mercedesbenzuk](https://twitter.com/mercedesbenzuk)

 [youtube.com/mercedesbenzuk](https://youtube.com/mercedesbenzuk)

 [instagram.com/mercedesbenzuk](https://instagram.com/mercedesbenzuk)

Effective from September 2020 Production. Information correct at time of publication 04.12.2020.

Prices and specifications are subject to change without prior notice.

MBWS205PL/1220 MY21

Mercedes-Benz Cars UK Limited, Tongwell, Milton Keynes, MK15 8BA. Company number 2448457 [www.mercedes-benz.co.uk](http://www.mercedes-benz.co.uk)